

NEW

LOOP POWERED 1" x 1.3" LED PANEL METER

(Also For VDC & mADC Signals)

MODEL

1PM

FEATURES:

- Only 1" x 1.3", 0.33" LEDs
- 4-20mA or VDC Signal Powered
- Externally Powered 5-16VDC
- Sigma-Delta A-D
- D.P. Selectable
- 3 Full 0.4" LED with "-" & Over-range indicators
- Ideal for P.S. Monitor
- Naked for Low Cost Panel/PCB Mounting
- Bi-Polar (+/-) Inputs
- Lifetime Warranted



DESCRIPTION

OTEK brings you the World's smallest LED Digital Panel Meter (and Loop Powered). That is why we call it the **1PM!** The size does not affect its reliability, performance and accuracy and we even managed to add the over-range indicator above the MSD so you know you have exceeded the full scale range. We added the negative sign indicator ("-") below the MSD so you know your signal is negative. You can adjust the Zero & span ($\pm 30\%$ range) via 12 turn potentiometers on the rear and connections are made via standard 0.1" center headers for P.C.B. or panel mount. For panel mount, a polarized filter is available on request. The **1PM** is a typical example of **OTEK's** Custom and Semi-Custom capabilities. If it can be done, we can do it!

SPECIFICATIONS @ 25°C

Current Loop Powered Models:

- Current Loop Burden: 5VDC
- Min./Max. Current: 3/36mA

Voltage Signal Powered Models:

- Min./Max. VDC Input: 3-16
- Current Consumption: 20mA Max.
- Effective Input Resistance: 1K OHM

Externally Powered & Common Specs.:

- Accuracy & Linearity: $\pm 0.1\%$ of F.S.
- Input Type: Diff.: Single Ended
- Common Mode R.R.: 100dB @ 50/60Hz
- Common Mode Voltage: 2VDC
- Step Response: 0.8 Sec. 10-90% of F.S.
- Display: 3 Full Digits (999) Plus Over-Range (1999) & "-" Sign Indication
- Display Height: 0.4" High Efficiency Red
- Conversion Rate: 2.5/Second
- Op/St. Temperature: -10 + 60°C
- RH: 5-95% N.C.
- CMTBF: >100,000 Hours
- Drift vs. Temp: $\pm 100\text{PPM}/^\circ\text{C}$



**IF YOU DON'T SEE IT
ASK FOR IT!**

Other Miniature Products:

LPL: 0.945" x 1.73", 4 1/2 Digits LCD

520-748-7900

FAX: 520-790-2808
E-MAIL: sales@otekcorp.com
http://www.otekcorp.com

OTEK™
CORP.
SINCE 1974

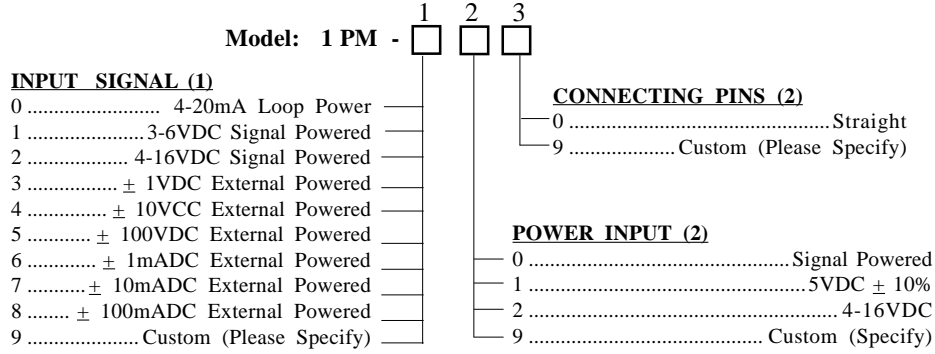
4016 E. TENNESSEE ST.
TUCSON, AZ. 85714 U.S.A.

MADE
IN
USA



1PM SERIES

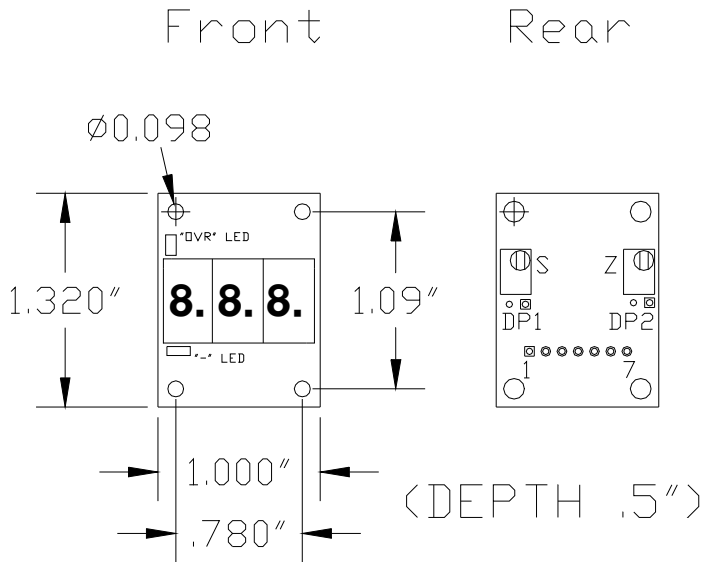
ORDERING INFORMATION 10/08/08



NOTES:

1. Options "0-2" on 1st digit must use Option "0" on 2nd digit. Options "3-8" on 1st digit must use Options "1" or "2" on 2nd digit.
2. Contact OTEK for customs

MECHANICAL & TYPICAL CONNECTIONS



PIN DESCRIPTION

1. ANALOG GROUND (NOT USED)
2. + REFERENCE (NOT USED)
3. -REFERENCE (NOT USED)
4. +SIGNAL IN Ext. Power
5. -SIGNAL IN Ext. Power
6. POWER GROUND/-Loop Pow'd
7. +VDC POWER/+Loop Pow'd

DECIMAL POINT SELECTOR

DP1 X.XX
 DP2 XX.X