

**NEW**

# WORLD'S FIRST "C.T." POWERED LOOP TRANSMITTER NO POWER SUPPLY REQUIRED!

**MODEL  
CTT**  
Pat. Pend.

### FEATURES:

- Powered By Your C.T. or Ext. Powered
- No External Power Supply Required
- 0.05A to 5A/0.5-5A Input
- 4-20mA Out
- $\leq 100$  Ohm Load (C.T. Powered)
- $\leq 750$  Ohm Load (Ext. Powered)
- Nuclear, Mil-Spec & Industrial Grades
- Panel or Din Rail Mount

Model CTT-I2

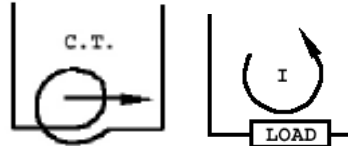


### SPECIFICATIONS

- Input Range: (Ext. Power) 0.05 - 5A AC
- Input Range (C.T. Power): 0.5-5AAC
- Accuracy & Linearity:  $\pm 0.5\%$  F.S.
- Isolation: 500 VRMS
- Conversion: True RMS
- Min.-Max. Load: 0-750 Ohms Ext. Power (Int. Power)
- Min-Max Load: 0-100 Ohms w/DPM
- Max. V Out: 24VDC
- Max. I Out: 26mA
- Op/St Temperature: -20 + 70/-30 + 80°C
- CMBTF:  $\geq 100K$  Hours
- Warranty: Lifetime (LTD)



Model CTT-I1



Model CTT-I0



**WARNING:** No Isolation From Your C.T. Do Not Connect to A.C. Line Only Connect To Isolated C.T.

O TEK's new "CTT" is a variation of the company's recently introduced ACS Series (patent pending) that brought you the World's First Truly C.T. (Current Transformer) powered instruments to monitor or control A.C. variables (V, A, W & Hz).

Now O TEK brings you complete freedom and savings. The "CTT" is 100% powered by your onsite 5 Amp C.T.. Just connect your C.T. output to the CTT, your current loop load and eliminate the power supply & wires. The convenient plug-in screw terminal connectors (26-14 Ga) on the rear, allows for quick installation.

**POWER:** The CTT is powered by the C.T. and just like analog meters, if the C.T. is dead or has below minimum current output, the CTT won't display or transmit. For applications requiring display and transmission, even at no input, order CTT externally (24VDC) powered (Digit 3, Options 3-5).

### PACKAGES:

The miniature (Options 0 & 3) case (1.5 x 3 x 1") has no display and it is for Panel/Chassis mount. The DPM case has a 4 1/2 digit (19999) LCD Red (Option 2) backlit or LED (Option 3) display. The DIN Rail is only 1" wide x 3.1H x 3" deep. All units accept up to 14 Ga wire. Standard Calibration is 0-0.4A no display, 0.5A = 5.6mA = 625 counts, 5A = 20mA = 10000 counts. Zero and Span for the display are on the front. 4 & 20mA output adjustments are on the rear. You can mount the CTT next to, or remotely from your 5A C.T. Just consider the wire resistance (0.0026 Ohms/Foot x 2 for 14 Ga.) and the CTT's internal resistance (0.05 Ohm) ie. For 100': 0.57 Ohms x 5A = 2.85V drop.

**Note:** The C.T. inputs are internally fused with 10A fuse. You should fuse your C.T. output at 8A or less.

If You Don't See It Ask For It!



520-748-7900  
FAX: 520-790-2808  
E-MAIL: sales@otekcorp.com  
http://www.otekcorp.com

**O TEK**™  
CORP.  
SINCE 1974

4016 E. TENNESSEE ST.  
TUCSON, AZ. 85714 U.S.A.  
MADE IN USA

**ORDERING INFORMATION 3-17-10**

**C.T. POWERED LOOP TRANSMITTER**

Model: CTT -

**GRADE (1)**

- I ..... Industrial
- M ..... To Mil-Spec
- N ..... Nuclear (Contact Otek)
- S ..... Intrinsically Safe
- 9 ..... Custom (Specify)

**POWER TYPE (3)**

- 0 ..... C. T. Powered
- 9 ..... Custom (Consult Factory)

**PACKAGE & DISPLAY (2)**

- 0 ..... Miniature & None
- 1 ..... Din Rail & None
- 2 ..... Panel Mount Red LCD
- 3 ..... Panel Mount Red LED
- 9 ..... Custom (Specify)

**NOTE:**

1. OTEK will build to certain MIL-Standards, but testing and confirmation of compliance, if required, will need to be done by a third party and at customer's expense.
2. Use #9 for custom display scale and offset if other than standard.
3. 24VDC Ext. Powered Range: >9VDC + your load (burden).

**OTHER RELATED PRODUCTS:**

**ACS:** Bargraph and Digital Panel Meters.

**AC Signal** powered for V, A, W and Hz.

**LPT:** Loop Powered R.F. Transmitter

**LBD, LSB, LPB:** Loop Powered Bargraphs

**LPM, LPE, 521, LPL, LPX:** Loop Powered DPMs

**PMC:** Power Management Controller

**LPI:** Loop Powered Isolator

**Nisol:** Nuclear Loop Isolator

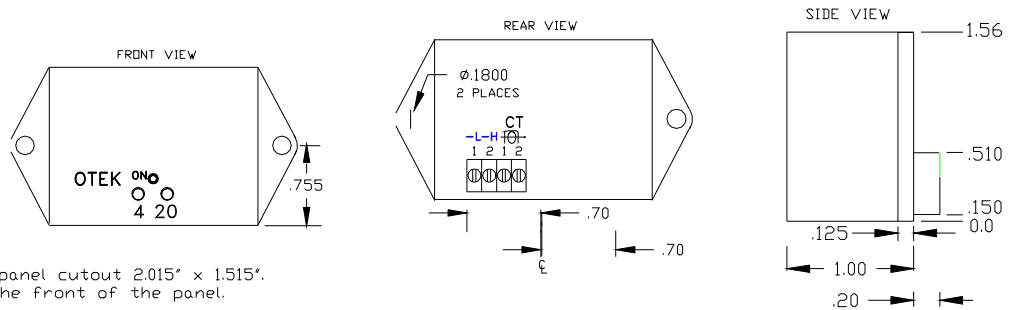
**ACL:** AC Signal Powered Loop Transmitter (A, V, W & Hz)

**ACW:** AC Signal Powered Wireless Transmitter

**900:** Loop Powered Controller

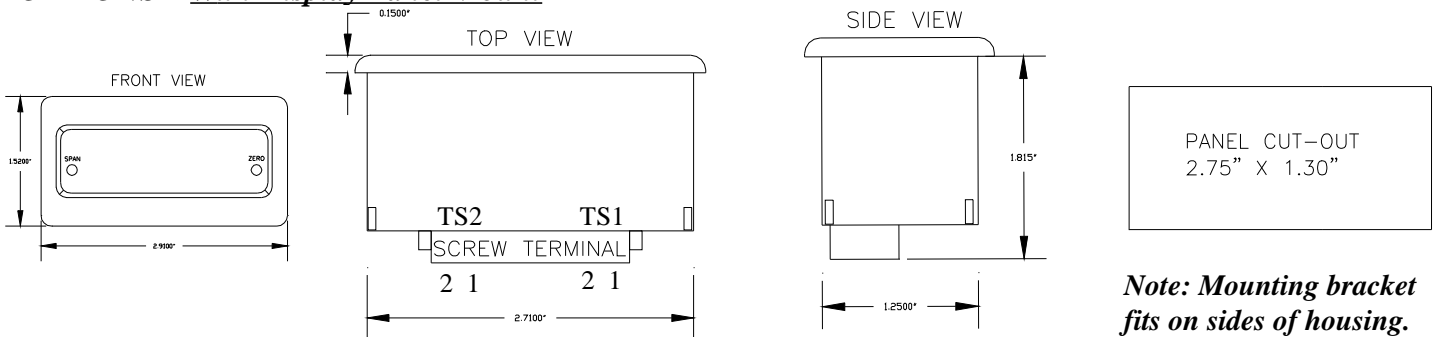
**OPTION 0 Miniature Case**

**MECHANICAL**



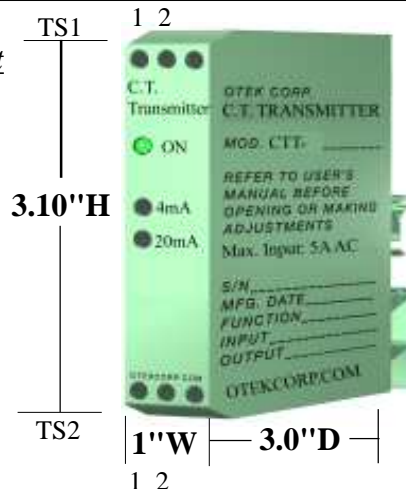
Note: For rear panel mount, make panel cutout 2.015" x 1.515". The unit will protrude 0.25" from the front of the panel.

**OPTIONS 2 With Display Panel Mount**



Note: Mounting bracket fits on sides of housing.

**OPTION 1 DIN Rail Mount**



**Typical Connections**

A) C.T. Powered Models:

C.T. Hi: TS1-1

C.T. Lo: TS1-2

+ Loop: TS2-1

- Loop: TS2-2

B) Externally Powered Models:

C.T. Hi: TS1-1

C.T. Lo: TS1-2

+ Loop: TS2-2

- Loop: TS2-1