

Low Cost Smart Remote Displays

With RS-232C/RS-422/RS-485 I/O

**MODEL
HI-Q111**

STANDARD SNAP RING
HOUSING



ACTUAL SIZE (2.55x1.45") 4 DIGITS 0.6" LED

EXPLOSION PROOF



(UP TO 3 DISPLAYS) IN
SANITARY HOUSING



DESCRIPTION: OTEK's new **HI-Q111™** series of serial input remote displays are 100% compatible with any HI-Q series controllers or any device with RS232C, RS422 or RS485 protocol ASCII character output.

The individually addressed segments of each digit allows you to generate limited alpha characters and all numerals (0-9) plus decimal points.

Baud rate is software programmable (9600 Std.) and address is jumper selectable or software programmable. The HI-Q111 has an LED on the upper left corner that can be addressed as sign, over-range or alarm. All connections are made through screw terminal connectors.

The HI-Q111 can be powered by 5VDC±5% or isolated 8-32VDC (or 24VAC) or 100-240VAC power supply.

FEATURES:

- 4 Digits (9.9.9.9.) 0.56" High
- All ASCII Characters
- Programmable Baud Rate
- Programmable Address
- Limited Alpha Characters
- 5VDC Power Input
- 8-32VDC Power Input
- 100-240VAC Power Input
- Screw Terminal Connector
- Explosion Proof & Sanitary Cases Available

SPECIFICATIONS @ 25°C

PARAMETER	HI-Q111
Display	9.9.9.9.
Display Size	0.56" High
Power Consumption	1.0W Max.
Power Input (Non Isolated)	5VDC ±5%
Power Input (Isolated)	8-32VDC (12-24VAC)
Power Input (Isolated)	100-240VAC
Baudrate (9600 Std.)	300-9600 Software
Address (00-255)	Software
Protocol Compliance	RS232C/RS422/RS485
Operating & Storage Temperature	0-60°C & -20-80°C
Environmental	NEMA12
Sanitary Case	Yes, Up to 3 Ea.
*Hazardous (Explosion Proof)	Yes
Housing Material	Polycarbonate 94VO
Isolation to Power Input	500V (8-32VDC or 100-240VAC Options)

* **Note:** Explosion Proof Option meets Class I, Div1 & 2 groups B,C,D; Class II, Div 1 & 2 groups E,F,G; Class III, Nema 3,4,7,9 & 12; FMC, CSA, Cenelec and Baseefa.
Sanitary Case Specs: Water Tight, Up to 250°F Steam, 3/4" NPT Port

520-748-7900

FAX: 520-790-2808
E-MAIL: sales@otekcorp.com
http://www.otekcorp.com

OTEK™ CORP.

SINCE 1974

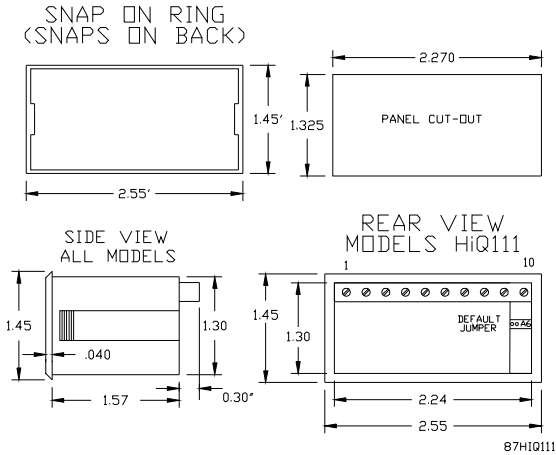
4016 E. TENNESSEE ST.
TUCSON, AZ. 85714 U.S.A.

MADE
IN
USA

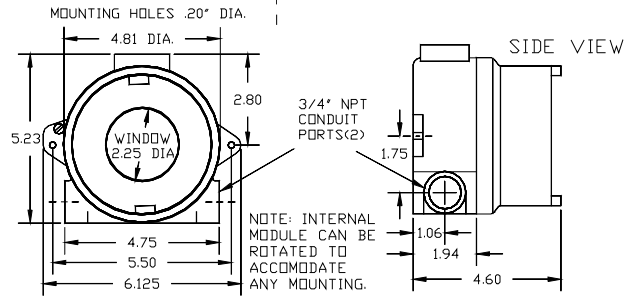


HI-Q111™ MECHANICAL INFORMATION 4-10-09

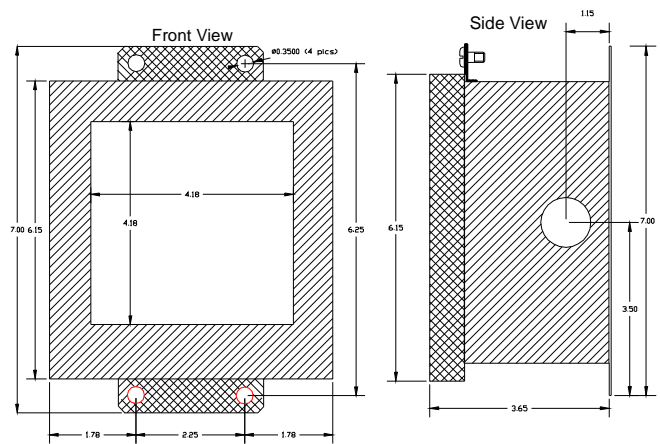
HiQ111 MECHANICAL (OPTION 0)



EXPLOSION PROOF (OPTION 2)



SANITARY CASE (OPTION 3)



TERMINAL DESCRIPTION:

For 5VDC Non-Isolated Power: +5V @ #4, Gnd. @ #6.
 For 8-32VDC Isolated Power: +V @ #1, -V @ #2.
 For 12-28VAC Isolated Power: ACH @ #1, ACL @ #2.
 For 100-240VAC Isolated Power: ACH @ #10, ACL @ #9.
 For Serial RS232: TXD @ #7, RXD @ #8, Use #6 as ground for it.

** All OTEK products are covered under a Limited Lifetime Warranty!*

Contact OTEK for Your Custom Needs!!

6/10/09

ORDERING INFORMATION

HI-Q111 - 1 2 3 4 5

SERIAL INPUT

- 0.....RS-232C
- 1.....RS-485
- 2.....RS-422
- 3.....USB

POWER INPUT

- 0.....Non-Isolated 5VDC
- 1.....Isolated 8-32VDC
- 2.....Isolated 100-240VAC
- 3.....Non-Isolated 6-25VDC
- 4.....Isolated 5VDC +/-5%
- 5.....Isolated 12VDC +/-5%
- 6.....Isolated 24VDC +/-5%
- 9.....Custom (Specify)

OTHER OPTIONS (2,3)

- 0.....None
- 9.....Custom (Factory #)

HOUSING (1)

- 0.....Standard
- 2.....Explosion Proof
- 3.....Sanitary

Notes:

1. Sanitary Case Price Plus Cost Of Units
2. Contact OTEK for Future Options
3. Specifications Subject to Change Without Notice!!

520-748-7900

FAX: 520-790-2808

E-MAIL: sales@otekcorp.com

http://www.otekcorp.com

OTEK™
CORP.

SINCE 1974

4016 E. TENNESSEE ST.
TUCSON, AZ. 85714 U.S.A.

MADE
IN
USA

