

0.8" Low Cost Smart Remote Displays

With RS-232C/RS-422/RS-485 I/O

**MODEL
HI-Q112**

HI-Q112



FEATURES:

- 0.8" 4 Digits
- All ASCII Characters
- Programmable Baud Rate
- Programmable Address
- Limited Alpha Characters
- 5VDC Power Input
- 8-32VDC Power Input
- 100-240VAC Power Input*
- NEMA4 Front Panel*
- Screw Terminal Connector
- Explosion Proof Available

ACTUAL SIZE (1/8 DIN Cutout)

DESCRIPTION: OTEK's new HI-Q112™ series of serial input remote displays are 100% compatible with any HI-Q series controllers or any device with RS232C, RS422 or RS485 protocol ASCII character output.

The individually addressed segments of each digit allows you to generate limited alpha characters and all numerals (0-9) plus decimal points.

Baud rate is software programmable (9600 Std.) and address is jumper selectable or software programmable. The HI-Q112 has an LED on the upper left corner that can be addressed as sign, over-range or alarm. All connections are made through screw terminal connectors.

ANALOG INPUT We can include (on request) a 16 Bit A/D. Contact OTEK.

The HI-Q112 accepts 5VDC ±5%; 8-32VDC or 100-240VAC power input and its front is NEMA4 rated.

Model can be ordered in explosion proof housing for hazardous environment applications. The internal design of the units allows for custom features such as analog inputs, digital inputs and serial I/O. Contact OTEK with your requirements.



EXPLOSION PROOF



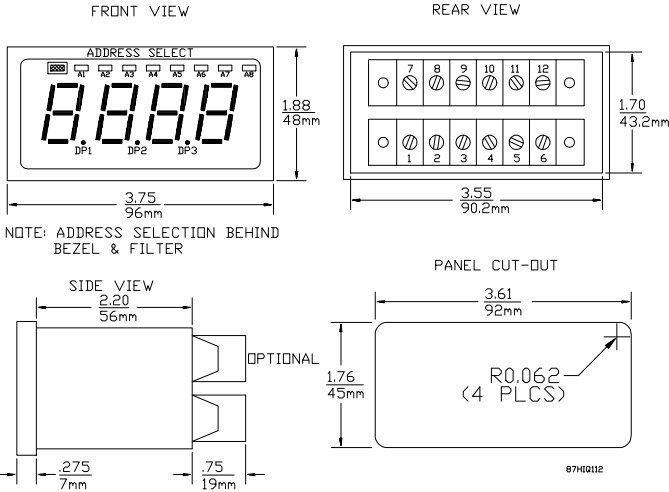
4 DIGITS 0.8" LED
SANITARY CASE

SPECIFICATIONS @ 25°C

PARAMETER	HI-Q112
Display Size	0.80" High
Power Consumption	1.50W Max.
Power Input (Non Isolated)	5VDC ±5%
Power Input (Isolated)	8-32VDC
Power Input (Isolated)	100-240VAC (Internal)
Baudrate (9600 Std.)	300-9600 Software
Address (00-256)	Software
Protocol Compliance	RS232C/RS422/RS485
Operating & Storage Temperature	0-60°C & -20-80°C
Environmental	NEMA4 (IP65)
*Hazardous (Explosion Proof)	Consult Factory
Housing Material	Polycarbonate 94VO
Isolation to Power Input	500V
(8-32VDC or 100-240VAC Options)	

* **Note:** Explosion Proof Option meets Class I, Div1 & 2 groups B,C,D; Class II, Div 1 & 2 groups E,F,G; Class III, Nema 3,4,7,9 & 12; FMC, CSA, Cenelec and Baseefa. Sanitary Case Specs: Water Tight, Up to 250°F Steam. 3/4" NPT Port.

HI-Q112 MECHANICAL



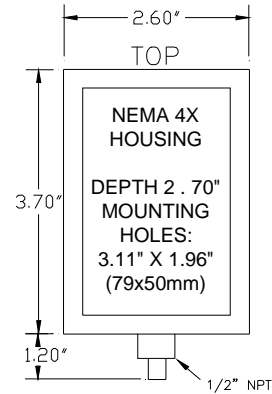
NOTE: ADDRESS SELECTION BEHIND BEZEL & FILTER

TERMINAL DESCRIPTION:

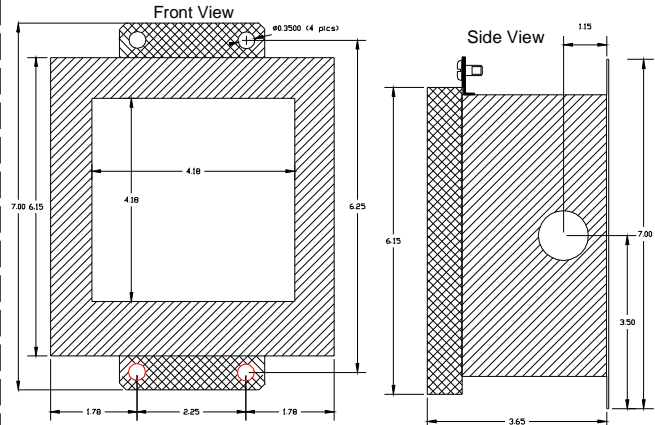
- 1: RXD/DI; 2: TXD/DO; 3: Ground
 - 4: +5VDC.; 5: +VDC In /AC High; 6: -VDC In/AC Low
- Note:** 7-12 for Custom Models Only.

Note: When 8-32VDC or AC Power is included, its inputs (at 5 & 6) are isolated from VCC GND, & Serial I/O lines and terminals. 4 (+) & 3 (-) are power output (+5V).

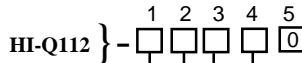
NEMA 4X (OPTION 1)



SANITARY CASE (OPTION 3)



ORDERING INFORMATION (1-21-09)



SERIAL INPUT

- 0 RS-232C
- 1 RS-485
- 2 RS-422

POWER INPUT

- 0 5VDC
- 1 8-32VDC
- 2 100-240VAC

HOUSING

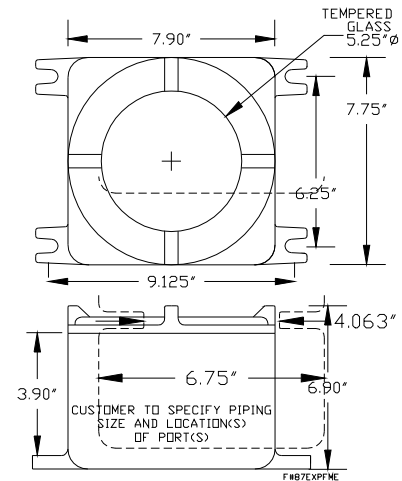
- 0 Standard
- 1 NEMA 4X
- 2 Explosion Proof
- 3 Sanitary

OTHER OPTIONS

- 0 None
- 9 Custom (Factory #)

* Specifications Subject to Change Without Notice!!

EXPLOSION PROOF (OPTION 2)



** All OTEK products are covered under a Limited Lifetime Warranty!*

Contact OTEK for Your Custom Needs!!

520-748-7900 FAX: 520-790-2808
 E-MAIL sales@otekcorp.com
 http://www.otekcorp.com

OTEK TM
CORP.

SINCE 1974

4016 E. TENNESSEE ST.
 TUCSON, AZ. 85714 U.S.A.

MADE
 IN
 USA

