

# Low Cost Smart Bargraph-Digital Meters

For V/mADC Input And/Or RS-232C/485, Remote Displays

**MODEL  
HI-QSLIM**

HI-QSLIM1



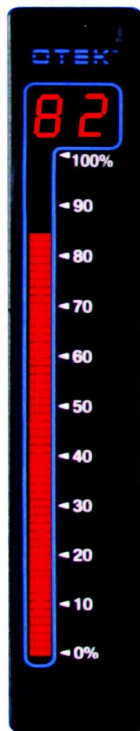
Zero & Span Adjustments Behind Overlay Not Shown

8 DIGITS  
7 SEGMENTS

HI-QSLIM3 Horizontal Version  
(Center Zero Available)



HI-QSLIM2



**DESCRIPTION:**

O TEK's new **HI-QSLIM** series of Low Cost Smart Indicators complement the extensive and proven HI-Q line of **Intelligent Programmable Controllers**. We have applied our expertise to bring you the industry's first low cost bargraph, without sacrificing the quality and reputation of our HI-Q line.

**The HI-QSLIM1** offers eight (8) digits, seven-segment 0.6" display with limited alpha characters and 0-9 numerals plus decimal points.

**The HI-QSLIM2** has 51 segments (2% resolution & 2 digits(1%)).

**The HI-QSLIM3** gives you 1% resolution with its 101 segment high intensity bargraph & 2 digit displays.

**Whichever** you choose for your application, you can depend on its quality and OTEK's limited lifetime warranty.

**APPLICATIONS:** (See Note 2)

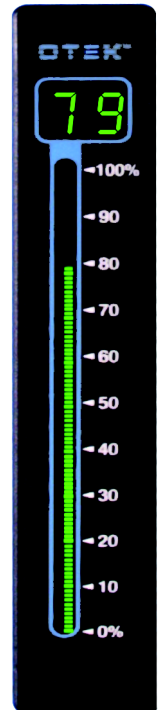
- Remote Display for RS-232/485
- Process Meter (4-20mA/0-5VDC)
- Trend Indicator
- Counter
- Timer
- Inclinometer Indicator
- Well Depth
- Distance
- Position
- Altitude
- Temperature
- Pressure
- Flow
- Humidity
- pH
- RPM
- Strokes Per Hour/Per Minute

60% of ACTUAL SIZE  
2 DIGITS &  
51 SEGMENTS

**FEATURES:**

- RS-232C or RS-485 I/O
- ASCII Characters
- Stackable in 1 Inch Centers
- Vertical or Horizontal Viewing
- Zero & Span Front Panel Controls
- Only 2" Deep NEMA3 Housing  
6x1x2" (NEMA4X on Request)
- 5VDC, Isolated 5,12,24 VDC 10-32 VDC or 100-240VAC Power Input
- Standard Unicolor Red or Custom Multicolor (R,G,Y)
- Free Custom Software for Minimum Purchases
- Compatible with Any RS-232/422/485 ASCII System
- Polycarbonate Overlay

HI-QSLIM3



60% of ACTUAL SIZE  
2 DIGITS &  
51 SEGMENTS

**OTHER SIMILAR MODEL: LPB**

IFYOUDONTSEEIT,  
ASKFORIT!



**520-748-7900**

FAX: 520-790-2808  
E-MAIL: sales@otekcorp.com  
http://www.otekcorp.com

**OTЕК™  
CORP.**

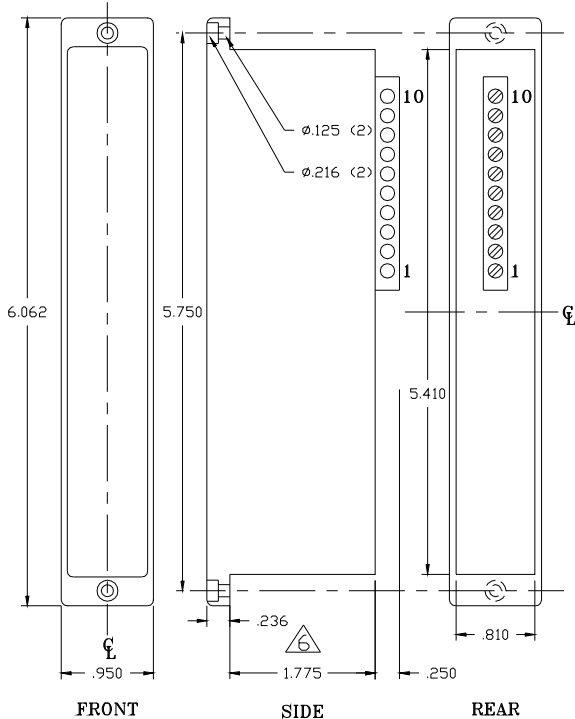
SINCE 1974

4016 E. TENNESSEE ST.  
TUCSON, AZ. 85714 U.S.A.

MADE  
IN  
USA



### MECHANICAL INFORMATION



- NOTES:
1. RECOMMENDED PANEL CUTOUT: 0.840 x 5.452
  2. MOUNTING HOLES (2) FOR #4 CLEARANCE
  3. WIRE SIZE ACCEPTED > 24 < 16 GA.
  4. ALL DIM ±0.010"
  5. FOR STACKED APPLICATIONS MAKE MOUNTING HOLES ON 0.960" CENTERS.
  6. UNITS W/O POWER SUPPLY ARE ONLY 1.00" DEEP

F# 87SLIMME

### TYPICAL CONNECTIONS (All Models)

- Notes:
1. Refer to your specific model# before making connections
  2. Always apply power before signal
  3. 5VDC ±5% (0.25V) at connector
  4. Notice terminal orientation before connecting

Terminal #	Description	Notes
10	Dig. Gnd.	RS-232C & Digital Signal Ground
9	Int 0	Do Not Connect Reserved for Custom
8	T 0	Default Control
7	RXD/DO	Receive Data (RS-232C/485)
6	TXD/DO	Transmit Data (RS-232C/485)
5	Hi Pulse In	+Digital Signal Input or Contact
4	+Signal In	+Analog Signal Input
3	-Signal In or Low Pulse In	Internal Instrument Ground for Analog Inputs
2	+Power In	+For VDC or AC High Input
1	-Power In	Gnd. for VDC or AC Low Power In

### SPECIFICATIONS

PARAMETER	HI-QSLIM-1	HI-QSLIM-2	HI-QSLIM-3
# Segments	None	51	101
# Digits	Eight (8)	Two (2)	Two (2)
Analog Input Accuracy	(On Request)	±1%	±0.1%
Analog Input Resolution	(On Request)	1% (1 in 100)	±1% (1 in 100)
Polarity	(On Request)	Unipolar	Unipolar
Zero & Span	(On Request)	Yes	Yes
Input Impedance mA/VDC	(On Request)	200Ω/100KΩ	200Ω/100KΩ
Digital Input		TTL/CMOS	TTL/CMOS
Multilevel Inputs		Dry Contact to 250V	Dry Contact to 250V
Frequency Response TTL		10K Hz	10KHz
Serial I/O	RS-232C/RS485	RS-232C/RS485	RS-232C/RS485
Characters	ASCII	ASCII	ASCII
Baud Rate	9600 Std.	9600 Std.	9600 Std.
Address Selection	Via Serial Port	Via Serial Port	Via Serial Port
Power Req't @5VDC	2W	2W	2W
Power Input Non-isolated	5VDC±5%	5VDC±5%	5VDC±5%
Power Input Isolated	5, 12, 24 or 10-32VDC	5, 12, 24 or 10-32VDC	5,12, 24 or 10-32VDC
Power Input Isolated	100-240 VAC	100-240 VAC	100-240VAC
Operating Temperature	0-60°C	0-60°C	0-60°C
Storage Temperature	-20 to 70°C	-20 to 70°C	-20 to 70°C
Humidity	5-95% N.C.	5-95% N.C.	5-95% N.C.
MTBF (Calculated)	100,000Hrs	100,000Hrs	100,000Hrs
Front Panel	NEMA 3	NEMA 3	NEMA 3
Weight	3 oz. (84g.)	3 oz. (84g.)	3 oz. (84g.)

\* Specifications Subject to Change Without Notice! Contact OTEK for Your Custom Needs!!

520-748-7900

FAX: 520-790-2808

E-MAIL:sales@otekcorp.com

http://www.otekcorp.com

**OTEK**™  
CORP.

SINCE 1974

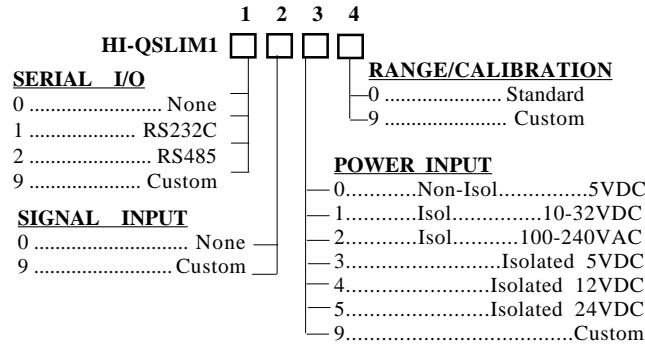
4016 E. TENNESSEE ST.  
TUCSON, AZ. 85714 U.S.A.

MADE  
IN  
USA



## ORDERING INFORMATION (11-25-09)

### 8 DIGIT LED COUNTER OR 4 DIGIT PROCESS INDICATOR

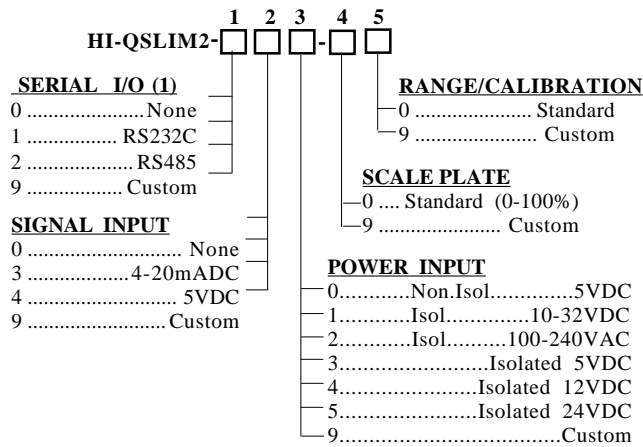


**MODEL  
HIQ-SLIM1**

(1) 5½ Digits Only  
(50,000 Counts)  
(2) Event Counter Only.  
Consult OTEK for other  
Functions.  
(3) Consult Factory for  
Availability.

CF: Contact Factory

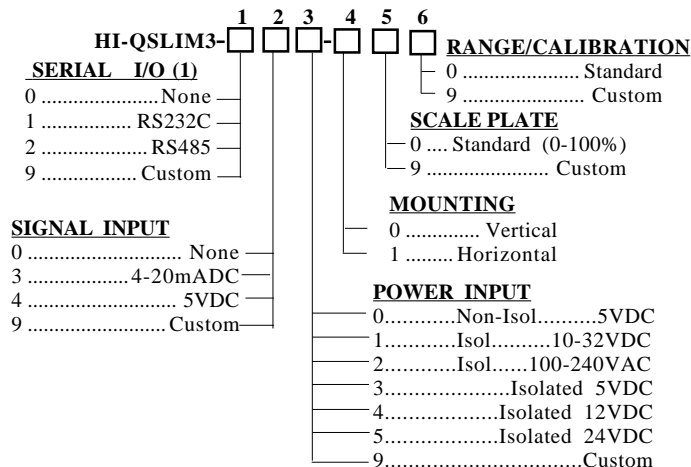
### 51 SEGMENT LED BARGRAPH WITH 2 DIGIT LED DISPLAY



**MODEL  
HIQ-SLIM2**

CF: Contact Factory

### 101 SEGMENT LED BARGRAPH WITH 2 DIGIT LED DISPLAY



**MODEL  
HIQ-SLIM3**

CF: Contact Factory

**520-748-7900**

FAX: 520-790-2808  
E-MAIL: sales@otekcorp.com  
http://www.otekcorp.com



SINCE 1974

4016 E. TENNESSEE ST.  
TUCSON, AZ. 85714 U.S.A.

MADE  
IN  
USA

