

**NEW**

# BCD INPUT REMOTE DISPLAY FOR HI-REL, MIL-SPEC, NUCLEAR & INDUSTRIAL

**MODEL  
BCDPM**



5 Digits



**SIDE VIEW**

1.75"

Note: 1" Depth On Request

**FEATURES:**

- Full 5 Digits & D.P. 0.6" HI LED
- BCD Multiplexed Input (TTL)
- 24V Logic Input On Request
- Intensity Control
- Display Test
- 5, 12, 24 & 48VDC Power Input
- Aluminum Machined Nickel Plated Case
- Mil-Spec & Nuclear Approved (NOTE 1)
- Plug-In Euro Screw Connector

**REAR VIEW**



2.80" X 1.310" PANEL CUTOUT  
BEZEL: 2.91 X 1.52"

**DESCRIPTION**

O TEK's **BCDPM** incorporates State-Of-The-Art Technology to assure long life and availability to replace obsoleted units. The unit accepts Multiplexed BCDC (1, 2, 4, 8) and 5 Digit select and decimal point information and displays it on its 0.6" high bright red (green and orange on request). An intensity control input is provided for maximum readability on most environments (Night Vision NVG3 on Request). **PLC** 24VDC interface is available (Option 1 On Input Type). The standard unit accepts "TTL" positive logic levels.

The **HOUSING** is made out of machined aluminum, nickel plated. **Sanitary & Explosion Proof** can be pipe, panel, wall or conduit mounted.

**SPECIFICATIONS**

(at 25°C/5VDC Power Industrial Grade)

- Logic Levels: TTL Positive Logic
- Input Type: Multiplexed Digit Select & Parallel BCD
- Power Consumption: (All 8s) 250mA @ 5V Power
- Intensity Control: 500Ω External Potentiometer (Not Supplied)
- Operating Temperature: -10 + 60°C
- Storage Temperature: -20 + 70°C
- Humidity: 5-90% RH, N.C.
- MTBF (Calculated): >100,000+ Hours
- Sanitary Case: To 250°F Steam
- Explosion Proof For Class I, Div. 1 & 2 Certified
- Lifetime Warranty (LTD.)

**ORDERING INFORMATION (10/7/15)**

Model: BCDPM -  1  2  3  4  5

**GRADE (1)**

0.....Industrial  
1.....Mil-spec  
2.....Nuclear (Contact OTEK)  
9.....Custom (Contact OTEK)

**POWER INPUT**

0..... Non-Isolated 5VDC  
1..... Isolated 5VDC  
2..... Isolated 12VDC  
3..... Isolated 24VDC  
4..... Isolated 48VDC  
9..... Custom (Contact OTEK)

**NUMBER OF DIGITS**

0..... 5 Full Digits  
9..... Custom (Contact OTEK)

**INPUT TYPE**

0..... TTL  
1..... 24V Logic  
9..... Custom (Contact OTEK)

**CASE STYLE (2)**

0.....Metal  
1.....Sanitary  
2.....Explosion Proof  
3.....Standard Plastic  
9.....Custom (Contact OTEK)

**NOTES:**

1. For Mil-Spec & Nuclear Grades, Contact OTEK. Otek will build to certain MIL-standards but testing and confirmation of compliance, if required, will need to be done by a third party and at customer's expense.
2. Maximum of 3 units inside sanitary case. If using more than 1 unit in a sanitary case, select Option 9 (Custom) and describe.

**520-748-7900**

FAX: 520-790-2808  
E-MAIL: sales@otekcorp.com  
http://www.otekcorp.com

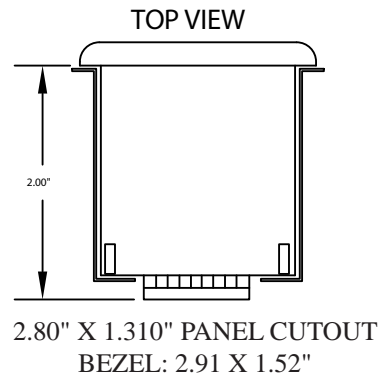
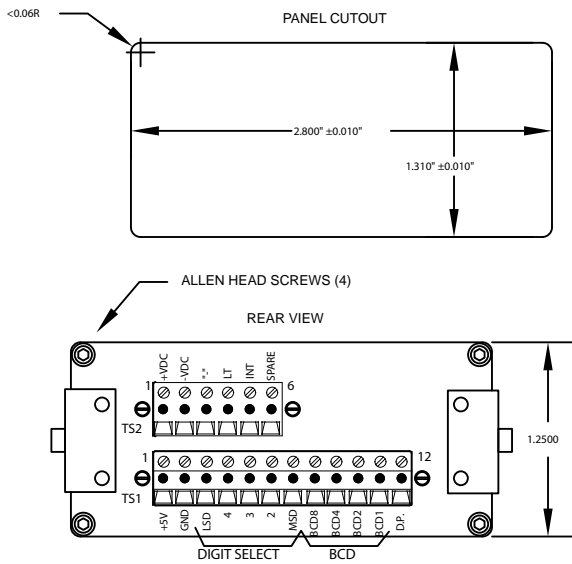
**O TEK**™  
**CORP.**

SINCE 1974

4016 E. TENNESSEE ST.  
TUCSON, AZ. 85714 U.S.A.



## BCDPM TYPICAL CONNECTIONS



### TERMINAL DESCRIPTION

- TS2-1= +VDC POWER INPUT (12, 24 OR 48VDC BASED ON MODEL NUMBER ORDERED)
- TS2-2= -VDC POWER RETURN (On 12, 24, OR 48V POWER MODELS, CONNECT TO TS1-2)
- TS2-3= "-" MINUS SIGN (2 & 3 1/2 DIGIT MODELS ONLY, CONNECT TO TS1-6 (DS2) TO TURN ON)
- TS2-4= LAMP TEST (CONNECT TO TS1-2 TO ENABLE)
- TS2-5= INTENSITY CONTROL (CONNECT TO TS1-1 FOR FULL INTENSITY OR THROUGH AN EXTERNAL 500 OHM POTENTIOMETER)
- TS2-6 NO CONNECTION (SPARE)

- TS1-1 +5VDC I/O (20mA MAX WHEN USED AS OUTPUT)
- TS1-2 5VDC RETURN. CONNECT TO TS2-2 FOR 12, 24 or 48 VDC POWER INPUT MODES.
- TS1-3 DIGIT SELECT LSD
- TS1-4 DIGIT SELECT 4
- TS1-5 DIGIT SELECT 3
- TS1-6 DIGIT SELECT 2
- TS1-7 DIGIT SELECT MSD
- TS1-8 BCD 8
- TS1-9 BCD 4
- TS1-10 BCD 2
- TS1-11 BCD 1
- TS1-12 DECIMAL POINT SELECT (CONNECT TO DESIRED DIGIT SELECT LINE)

**DOWNLOADS:** For manuals, user-software or drivers:  
[www.otekcorp.com](http://www.otekcorp.com)

### SANITARY

### EXPLOSION PROOF

