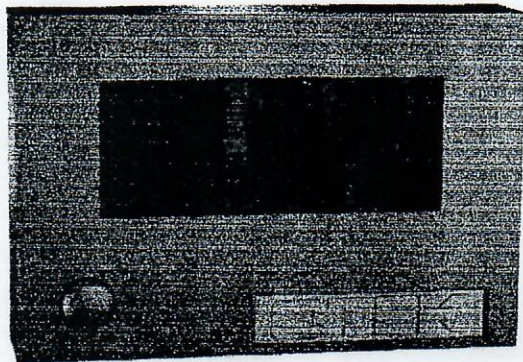


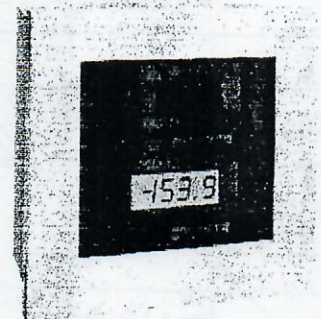
CURRENT LOOP INPUT 3½ DIGIT LED DPM
"Flat Pack" No Panel Cut Out Required
(NEMA 3 or NEMA 4X)

MODEL
525



Features

- Only 100mV Burden
- 1-5, 4-20, 10-50mA & 1-5VDC Ranges
- Easy to Mount
- .6" LED 3½ Digit Display
- NEMA 3 or NEMA 4X Case
- Only ½" Thick
- MTBF: 100,000 Hours



SANITARY

CURRENT LOOP

DESCRIPTION: The 525 is a 3½ digit LED process loop indicator that accepts 1-5, 4-20 & 10-50mA current loop signals (1-5VDC as well) and only "drops" (burden) 100mV maximum from the loop. Its wide zero and span adjustments allow the 525 to be field modifiable (NEMA 12 Flat Pack only) to most engineering units requirements. The 525 is the LED counterpart of our original model 521 Powerless LCD current loop indicator first introduced in 1975. Its applications are in normal or low light environments (LED), or where the burden (drop) on the loop must be kept at a minimum. The trade-off is that the 525 requires 5VDC to operate and the 521 is loop powered.

HOUSING: Otek's Flat Pack requires no panel cut out. Just drill a 10mm (3/8") Ø hole, pass the wires through, attach the provided double-sided tape (to prevent rotation), align the flat pack, tighten the nut and make the connections to the wires. No connector or tools required! No behind the panel space needed! The case is U.L. approved ABS Polycarbonate 94 V0 rated. **NEMA 4X housing option does not have access to the adjustments.** If other than Otek's standard setting is required, please specify at the time of ordering. Sanitary Case is Wall, Panel or Pipe mount and can include 2 flat packs, please specify.

DECIMAL POINTS: Externally selectable.

POWER SUPPLIES: Externally mounted. Two types are available, the "Open Frame" style accepts 120/240VAC and delivers 5VDC at up to 400mADC. The "Power Pack" is a wall plug in module available only for 120VAC input and delivers 5VDC at up to 200mADC.

FLAT PACK

SPECIFICATIONS AT 25°C

Accuracy	±0.05% of F.S. ±1 digit
Drift vs. Temperature	±.005%/°C
Samples/Second	1 Nominal
Operating/Storage Temp	-10° to +60°C/-20° to +70°C
Decimal Points	Externally Selectable
Power Requirements LED Type	5VDC ±½V at 150mA
Display	3½ Digit 0.6" Red LED
Input Protection	40mADC
Loop Burden	100mV at 20mA (5Ω)
Zero Adjustment Range	-300 to 1250 counts
Span Adjustment Range	+400 to OVR counts
Humidity	90% RH, non-condensing at 33°C
MTBF	100,000 Hours
Sanitary Case	NEMA 4X up to 250°F Steam Cleaning

LEAD COLOR

TERMINAL DESCRIPTION

RED	+5VDC Power Input
BLACK	Power Ground
GREEN	- Loop Output
BLUE	+ Loop Input
VIOLET	1.XXX Decimal Point. Connect to Black to illuminate.
GRAY	1X.XX Decimal Point. Connect to Black to illuminate.
BROWN	1XX.X Decimal Point. Connect to Black to illuminate.
ORANGE	1XXX. Decimal Point. Connect to Black to illuminate.

WARNING!

Do not connect to wires not shown.
Do not connect Black to either Green or Blue.

ORDERING INFORMATION (11/1/00)

MODEL **5** **2** **3** - - - - **10**

INPUT RANGE (1)

0	4-20mADC
1	1-5mADC
2	10-50mADC
3	1-5VDC

POWER INPUT (3)

0	5VDC
1	Open Frame 120/240VAC
2	Power Pack 120VAC

(3) See "Power Supplies" section above.

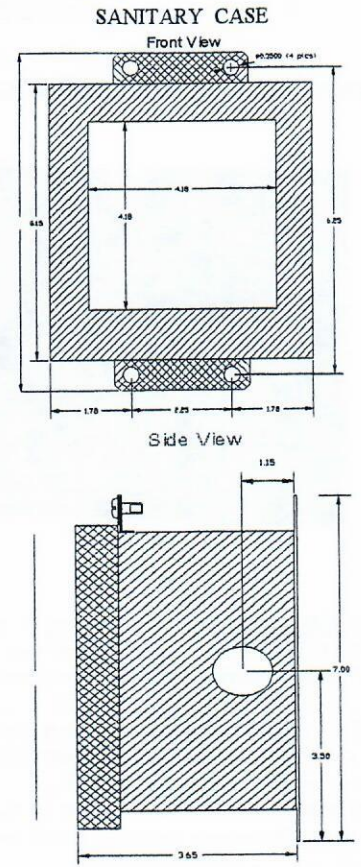
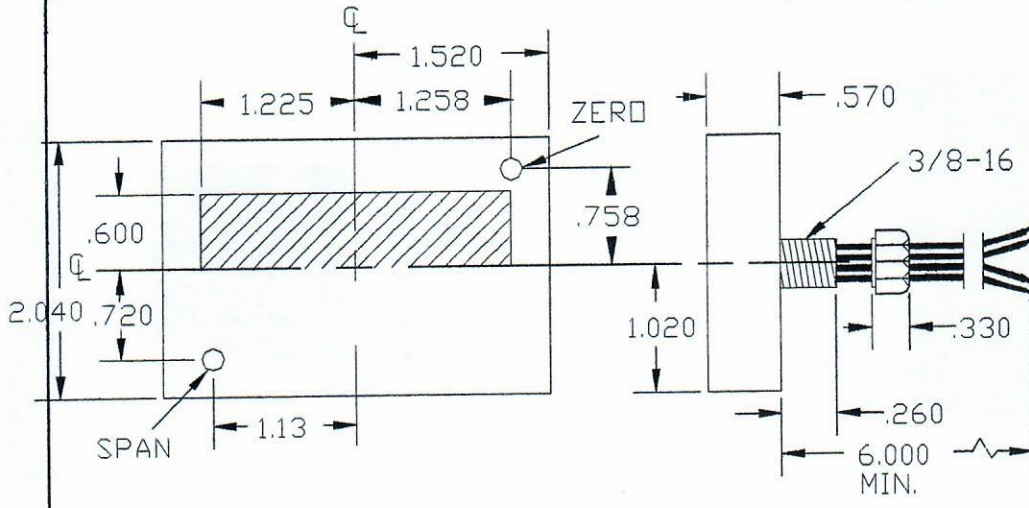
HOUSING (2)

0	NEMA 3
1	NEMA 4X
2	Sanitary Case

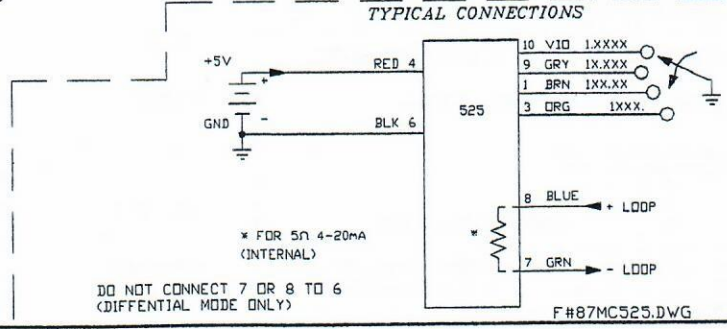
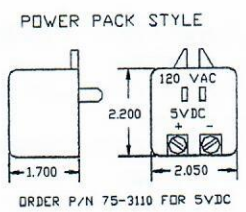
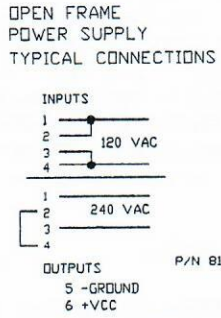
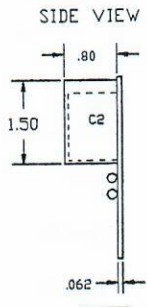
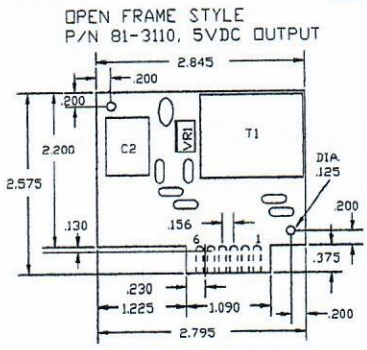
(2) See NEMA 4X note in "Housing" section above.

(1) Standard calibration is 4-20mA = 0-1000 Counts.

525 C.LOOP MECHANICALS & TYPICAL CONNECTIONS
 FLAT PACK W/WIRES



MECHANICALS FOR POWER SUPPLIES



FAX: 520-790-2808
 E-MAIL: sales@otekcorp.com
 TOLL FREE: 1-877-227-6835
520-748-7900

OTTEK™
CORP.
 SINCE 1974

4016 E. TENNESSEE ST.
 TUCSON, AZ. 85714 U.S.A.
 MADE IN USA

