

**AC VOLTS POWERLESS
ANALOG METER REPLACEMENT DPM
No Power Supply Required!**

**MODEL
599**

U.S. Patent No.
4,908,569

Features

- Signal Powered
- 12-500VAC Ranges
- Low Cost
- 3½" Standard Meter Case
- .5" High LCD Display
- Rugged
- High Accuracy & Resolution
- Same Connections as most Analog Meters
- Optional Backlight
- 80,000 Hours MTBF

DESCRIPTION: Model 599 is designed primarily for A.C. Power line monitoring where "loading" is of not much concern. When used for other purposes the "loading" must be taken into consideration, (see specifications). The A.C. signal is rectified, filtered, and R.M.S. calibrated, before it is displayed.

BACKLIGHT: Standard display is reflective black digits over silver background. An optional backlight is available at the time of ordering. When ordered, the digits are black over an illuminated green background. The intensity is not adjustable, and it's powered by the signal (line), (see Typical Connections).

LIGHT SOURCE: Electroluminescent. It's powered by the signal requiring only 2mA at 120-500VAC. The E.L. has uniform light output, and its life expectancy is in excess of 15,000 hours.

DECIMAL POINTS: Installed at Otek and must be specified at the time of ordering.



TRUERMS AC

SPECIFICATIONS AT 25°C

Accuracy and Linearity	±1% of full scale, ±1 count
Maximum Input Signal (volts)	High range
Maximum Power Consumption	1 watt
Nominal Power Consumption	0.5 watts
Measuring Method	AC Average, RMS Calibrated
Temperature Coefficient	100PPM/°C
Span Adjustment Range	±30% of full scale
Zero	Automatic
Backlight Operating Range	60-200V and 200-500V; 50-400Hz
Operating Frequency Range	50-60Hz (others on request)
Operating/Storage Temperature	-10° to +60°C/-20° to +70°C
Display5" Reflective LCD
MTBF	80,000 Hours

CASE MATERIAL: U.L. approved ABS Polycarbonate 94VO rated. Black matte with clear window.

ORDERING INFORMATION (11/1/99)

MODEL **5** **9** **9** **-1** □ □ □

OPERATING
VOLTAGE RANGE

00 12-60VAC

01 60-200VAC

02 200-500VAC

BACKLIGHT &
DECIMAL POINT

0 No and No D.P.

1 No and 1.XXX D.P.

2 No and 1X.XX D.P.

3 No and 1XX.X D.P.

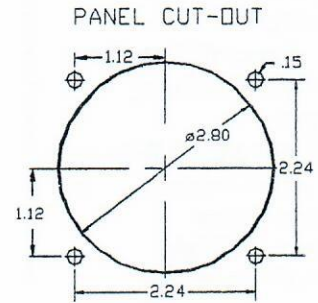
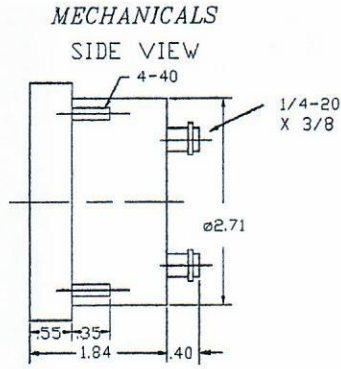
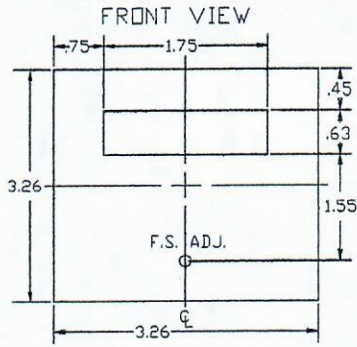
4. Backlight and No D.P.

5 ... Bklt and 1.XXX D.P.

6 ... Bklt and 1X.XX D.P.

7 ... Bklt and 1XX.X D.P.

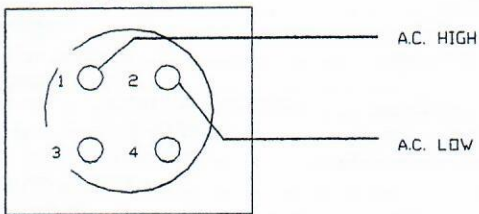
599 MECHANICALS & TYPICAL CONNECTIONS



MOD. 599 AC VOLTS POWERLESS
TYPICAL CONNECTIONS

(REAR VIEW)

599 AC VOLTS



F#87MCS599.DWG

F#87MC599.DWG

FAX: 520-790-2808
E-MAIL: sales@otekcorp.com
TOLLFREE: 1-877-227-6835

520-748-7900

OTЕК™
CORP.

SINCE 1974

4016 E. TENNESSEE ST.
TUCSON, AZ. 85714 U.S.A.

MADE
IN
USA

