

CURRENT LOOP PROCESS METER RELAY

With Compliance (VDC) for Transmitters
3 1/2 Digits LCD or LED

MODELS
6070 & 6071

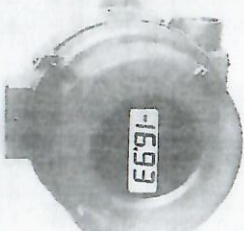
- Features:**
- LCD Version is POWERLESS
 - Built-in Alarm Relay
 - .5" LCD or .6" LED Display
 - Wide Zero and Span Adjustment
 - 1-5, 4-20, & 10-50mA Ranges
 - 1-5 and ± 10 VDC Ranges (Powered Version)



SNAP RING



CONDUIT



EXPLOSIONPROOF

DESCRIPTION: Choose from either LED (Model 6070) or LCD (Model 6071) Display. The LCD version is powered by the current loop as low as 0.7mA. The LED version (6070) requires 160mA at 5VDC to power its bright 0.6" high display. Both versions utilize SMT for high reliability.

COMPLIANCE: The 6070 series offers optional built-in 24VDC power for the transmitter (5-24VDC DC-DC converter) for the LED or powered LCD models. All you need is 5VDC power to the unit.

CALIBRATION: All units calibrated for standard process range (4mA=0; 20mA=1000 counts or equivalent) unless otherwise requested at time of ordering. In either case, the 6070 series can be field calibrated by adjusting "pots" behind the filter.

CONNECTIONS: Simple and secure with our screw terminal connector.

POWER: LED version (6070) must be powered by 5 or 7-15VDC. LCD version (6071) is loop powered (if power supply desired, see power supplies on back page).

BACKLIGHT (LCD model only): When ordered requires only a maximum of 20mA @ the same 5VDC supply and gives a constant intensity. When ordered **Powerless**, the backlight is powered by the loop (4-20mA range only) and its intensity is proportional to the loop's current (lowest at 4mA, highest at 20mA). Backlight illuminates the background and the digits remain black.

HOUSING: All 6000 series available in "Snap Ring" case (U.L. approved ABS Polycarbonate 94V0 rated), "Conduit" for those harsh environments or the "Explosion Proof" case that meets Class I, Div. 1 & 2 Groups B, C, D; Class II, Div. 1 & 2 Groups E, F, G; Class III, NEMA 3, 4, 7, 9 & 12; FM, CSA, Cenelec and Baseeal!

ORDERING INFORMATION (1/1/97)

MODEL 6 7 8 9 0 1 2 3 4 5 6 7 8 9 0

DISPLAY TYPE LED LCD

INPUT RANGE 4-20mA 1-5mA 10-50mA 1-5VDC ± 10 VDC

BACKLIGHT (LCD only) No Backlight Loop Powered Backlight(3) Externally Powered Blkt

COMPLIANCE(4) No Compliance Compliance

ALARM(4) No Alarm Alarm

HOUSING Snap Ring Conduit Explosion Proof

POWER INPUT (1) 5VDC Open Frame 120/240VAC Power Pack 120VAC Loop Powered (6070 only) 7-15VDC

(1) See mechanical info. on back page.
(2) Powered models only. (3) The power input must be loop powered option.
(4) Alarm not available with compliance or vice versa.

ALARM RELAY (positive signals only): An S.P.D.T Relay & LED will turn on when the signal exceeds the limit set. To set the limit simply apply the signal to desired value on the display and adjust a pot on the rear until the LED turns on. **Contacts rating:** 100mA, 28VDC/120VAC maximum resistive load.

SPECIFICATIONS AT 25°C

Accuracy and Linearity	±.05 = 1
Drift vs. Temperature	±.005
Samples/Second	4 Normal
Compliance Supply Output	30mA at 20V
Operating/Storage Temp	-10° to +60°C/-20° to -7°
Decimal Points	Selectable
Display Type LED Version	0.6" High Reflex
Display Type LCD Version	0.5" High Reflex
NOTE: Transmissive is used when backlight option is ordered	
Black segments over an illuminated background	
Burden Range (Loop Drop)(LCD)	3-6VDC (clamped at 4.1)
Burden Range (Loop Drop)(LED)	2000
Current Loop Range	0.7-300
Zero Adjust	-600 to +500 Counts
Span Adjust	±25% of full
Power Requirement (LED)	160mA at 5VDC
Power Requirement (LCD)	Loop Powered or 5VDC 300
Backlight Power (LCD)	20mA at 5VDC
Compliance Input	150mA at 5VDC
Compliance Output	30mA at 2.1VDC
Compliance Option Power Requirement	150mA at 5VDC
LCD MTBF	80,000 Hours
LED MTBF	100,000 Hours

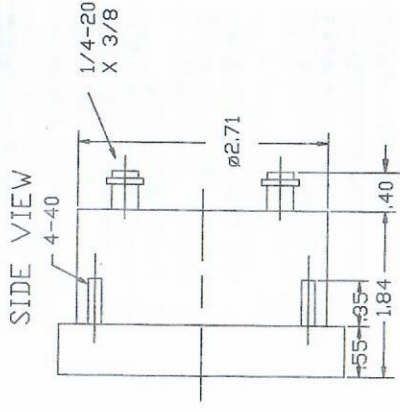
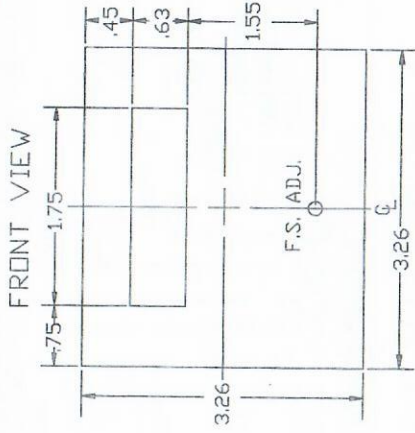
TERMINAL

DESCRIPTION

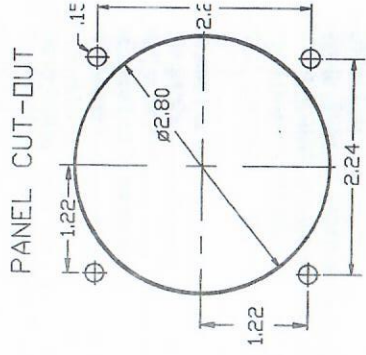
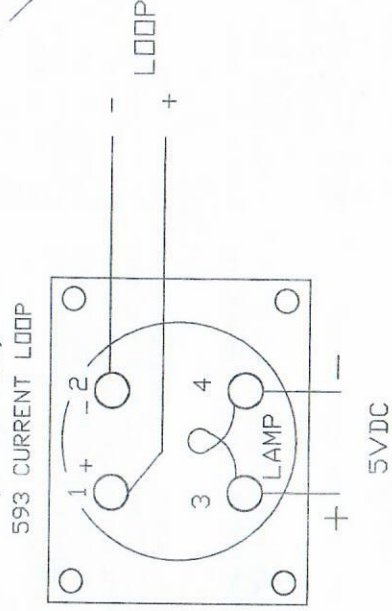
1	IXXX Decimal Point. On LED version connect to terminal 6. On LCD version connect to terminal 7
2	+ Signal input (+Loop) for LED also see terminal 4.
3	+ Compliance output
4	+ 5VDC Power Input (LED or backlight power) or + Loop LCD Ground (+5V return)(LED or backlight power) & -signal(-Loop)
6	Decimal Point Common (LCD Only) Connect desired D.P. to this terminal
7	IXXX Decimal Point. On LED version connect to terminal 6. On LCD version connect to terminal 7
8	IXXX Decimal Point. On LED version connect to terminal 6. On LCD version connect to terminal 7
10	LCD version connect to terminal 7

NOTE: Connect a 100µF/10V Electrolytic or greater between 4(+) and 6(-) as close to the meter as possible.

593 MECHANICALS & TYPICAL CONNECTIONS
MECHANICALS



MOD. 593 POWERLESS CURRENT LOOP TYPICAL CONNECTIONS
(REAR VIEW)

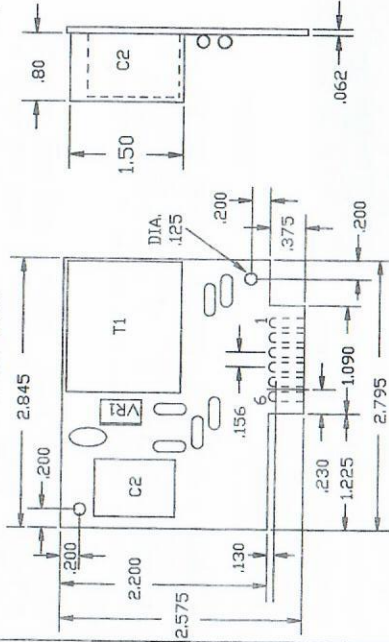


OPTIONAL BACKLIGHT
OPEN FRAME STYLE
P/N 81-3110 & 81-3112

MECHANICALS FOR POWER SUPPLIES

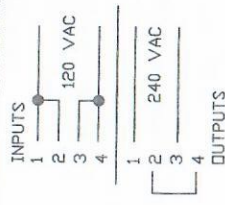
OPEN FRAME
POWER SUPPLY

TYPICAL CONNECTIONS



OPEN FRAME
POWER SUPPLY

TYPICAL CONNECTIONS

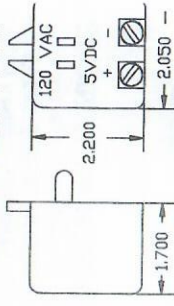


P/N 81-3110, 5VDC OUT
FOR BACKLIGHT

OR
P/N 81-3113, 24VDC OUT
FOR TRANSMITTER

F #87MC593.1

POWER PACK STYLE



ORDER P/N 75-3110 FOR 5VDC
FOR BACKLIGHT

OR
ORDER P/N 75-2400 FOR 24VD
FOR TRANSMITTER

FAX: 520-790-2808
E-MAIL: otekcorp@primenet.com
Fax-Back#: 520-748-1539--0593

OTEK™
CORP.

SINCE 1974

4016 E. TENNESSEE
TUCSON, AZ. 85714

MADE
IN
USA