

NEW

POWERLESSTM

A.C. Signal Powered D.P.M.

Popular 3 1/2" Barrel "LED"

(Patent #'s 7,626,378; 4,908,569 & Pending)

MODEL
ACS-A

FEATURES:

- 0.6" 3 1/2 Red LED Digits (1999)
- Same 2-Wire Connection
- Zero & Span Adjustment
- Lifetime Warranty!
- Analog Meter Replacement
- Panel Cutout Compatibility
- High Shock & Vibration



Effective 12-14-11

Specifications:

- * Accuracy & Linearity: +/- 0.1% of F.S.
- * Burden: 50mW@120VAC
- * Conversion Technique: RMS
- * Humidity: 5-95% RH, N.C.
- * CMBTF: > 100,000 Hours
- * Connector: #10 Lug
- * Operating Temp: -10+50°C
- * Storage Temp: -20+70°C

Powered Model: DCS

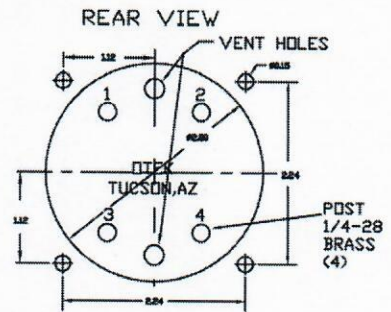
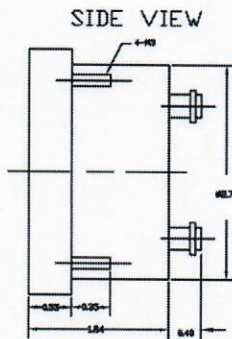
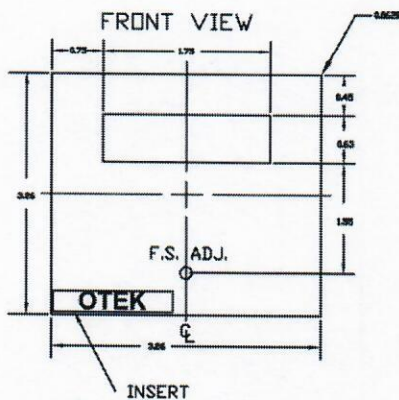
Model: ACS-A		1	2
<u>INPUT TYPE/RANGE</u>			
\$129.... V....(30-150).....	Volts		
\$159.... A....(0.3-5).....	Amps		
\$129.... H....(40-440).....	Frequency		
\$199.... W....(Same as V & A).....	Watts		
CF....9.....	Custom (Consult Factory)		
		<u>RANGE/CALIBRATION</u>	
		0.....	STANDARD (see Text)....NC
		9.....	CUSTOM....CF

Ranges (Calibration): VAC: 30-150; AAC: 0.3-5, HZ: 40-440; WAC: 30-150VAC & 0.30-5 AAC (Decimal points are selectable)

DESCRIPTION:

First Introduced in 1974, **OTEEK's** signal powered DPMs bring you high reliability, readability and human-factor compatibility. The single ASIC high efficiency and low power consumption drives the super bright LED display for high definition even at low current inputs. Just connect the wires and rely on the **ACS-A**. Decimal points are internal and jumper selectable. Just remove the 2 screws on back, change them and replace the cover.

MECHANICALS



- #1: ACV HI
- #2: ACV LO
- #3: ACA HI
- #4: ACA LO

520-748-7900
FAX: 520-790-2808
E-MAIL:sales@otekcorp.com
http://www.otekcorp.com

OTEEK™
CORP.
SINCE 1974

4016 E. TENNESSEE ST.
TUCSON, AZ. 85714 U.S.A.

MADE
IN
USA

