

NEW

POWERLESS™ A.C. Signal Powered D.P.M. Popular 3 1/2" Barrel "LCD" (Patent #'s 7,626,378; 4,908,569 & Pending)

**MODEL
ACS-B**

FEATURES:

- 0.5" 4 1/2 Digit LCD (19999)
- Same 2-Wire Connection
- Zero & Span Adjustment
- Lifetime Warranty!
- Replaces Old Analog Meters

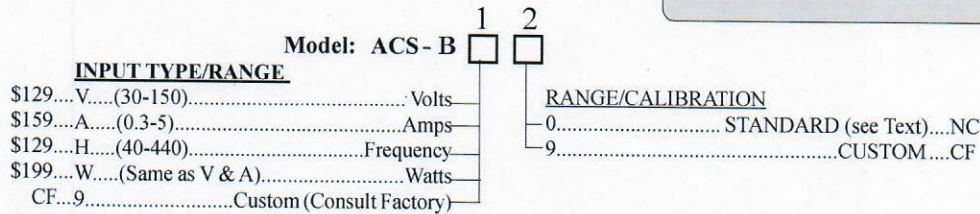


Specifications:

- * Accuracy & Linearity: +/- 0.1% of F.S.
- * Burden: 50mW @120VAC
- * Conversion Technique: RMS
- * Humidity: 5-95% RH, N.C.
- * CMBTF: > 100,000 Hours
- * Connector: #10 Lug
- * LCD Image: Positive (Std.) Negative on Request
- * Operating Temp: -10+50 C
- * Storage Temp: -20+70 C

Powered Model: DCS

Effective 12-14-11

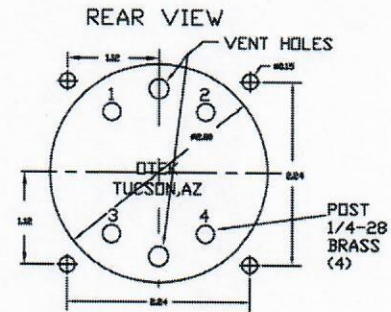
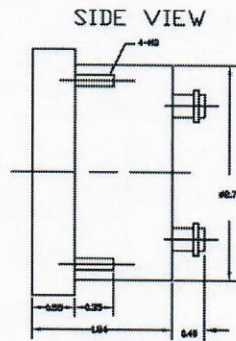
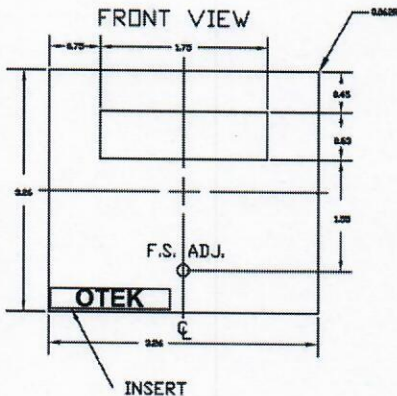


Ranges (Calibration): VAC: 30-150; AAC: 0.3-5, HZ: 40-440; WAC: 30-150VAC & 0.30-5 AAC (Decimal points are selectable)

DESCRIPTION:

The ACS-B is one of hundreds of signal powered products offered by OTEK—from displays to isolators, transmitters, bargraphs and controllers. The 4 1/2 digit LCD display gives you high contrast, resolution (1/20,000) and accuracy (+/-0.05%), along with high shock and vibration resistance. Just connect 2 wires (Hi & Lo) to it! If you need different decimal point locations, remove the cover (2 screws on the back), change the jumpers and replace the cover.

MECHANICALS



- #1: ACV HI
- #2: ACV LO
- #3: ACA HI
- #4: ACA LO

520-748-7900
 FAX: 520-790-2808
 E-MAIL:sales@otekcorp.com
 http://www.otekcorp.com

OTEK™ CORP.
 SINCE 1974

4016 E. TENNESSEE ST.
 TUCSON, AZ. 85714 U.S.A.
 MADE IN USA

