

NEW

POWERLESS™

(3 in 1)

A.C. Signal Powered Triple Display
"1/4 DIN" Case Meter

(Patent #'s 7,626,378; 4,908,569 & Pending)

MODEL
ACS-Q

FEATURES:

- 0.6" 3 1/2 & 4 1/2 Red, Blue & Amber Digits
- 3 Isolated Channels (>500VRMS)
- 3 Independent A/D
- Low Burden
- Hold & Peak & Hold
- 1/4 DIN Panel Cutout (92x92mm)
- Lifetime Warranty!



SPECIFICATIONS @ 25 Degrees C
(Industrial Grade):

- Burden: 100mW@120VAC per Channel
- Acc. & Lin.: +/- 0.1% of F.S. +/- 1 Digit
- Zero & Span Adj. +/- 300 Counts
- Frequency Range: 40-440 Hz
- Isolation between channels: >500VRMS
- Display: 0.6" High, 3 1/2 & 4 1/2 Digits
- Common Mode R.R.: 100dB @ 50/60 Hz
- Conversion Method: RMS-DC
- Step Response: 0.8 Sec. (0-90% of F.S.)
- Op./Storage Temp: -10 +70/ -20 + 70 C
- MTBF: > 100,000 Hours
- RH: 5-95% RH Non-Condensing
- Temperature Coefficient: 50PPM/ Deg. C
- Plastic Case: 94VO Textured Black

APPLICATIONS:

- Power Plants
- Emergency & Mobile Generators
- Marine
- Incoming Power Monitor

Powered Model: TLD

DESCRIPTION

You talk, **OTEK** listens! We were requested to put 3 Channels in one compact 1/4 DIN package with larger digits, like our **HI-O126**, so we did it! Now you can have 3 independent and isolated displays, driven from their own signals to concurrently display any 3 parameters. Powerless!

Ext. Powered
Equivalent:
Model TAC

Ordering Information

Effective 12-14-11

Model: ACS-Q

INPUTS DISPLAYED

- \$500.... 0..... V (Top) W (Center), A (Bottom) 1Phase
- \$500.... 1..... V (Top), A (Center), Hz (Bottom) 1Phase
- \$500.... 2..... V (Top), W (Center), Hz (Bottom) 1Phase
- \$500.... 3..... A (Top), W (Center), Hz (Bottom) 1Phase
- \$400.... 4..... V∅A (Top), V∅B (Center), V∅C (Bottom) 3Phase
- \$500.... 5..... A∅A (Top), A∅B (Center), A∅C (Bottom) 3Phase
- \$600.... 6..... W∅A (Top), W∅B (Center), W∅C (Bottom) 3Phase
- \$400.... 7..... Hz∅A (Top), Hz∅B (Center), Hz∅C (Bottom) 3Phase
- CF..... 9..... Custom (Contact Otek)

Ranges (Calibration): VAC: 30-150; AAC: 0.3-5, HZ: 40-440; WAC: 30-150VAC & 0.30-5 AAC (Decimal points are selectable)

520-748-7900
 FAX: 520-790-2808
 E-MAIL:sales@otekcorp.com
 http://www.otekcorp.com

OTEK™
CORP.
 SINCE 1974

4016 E. TENNESSEE ST.
 TUCSON, AZ. 85714 U.S.A.

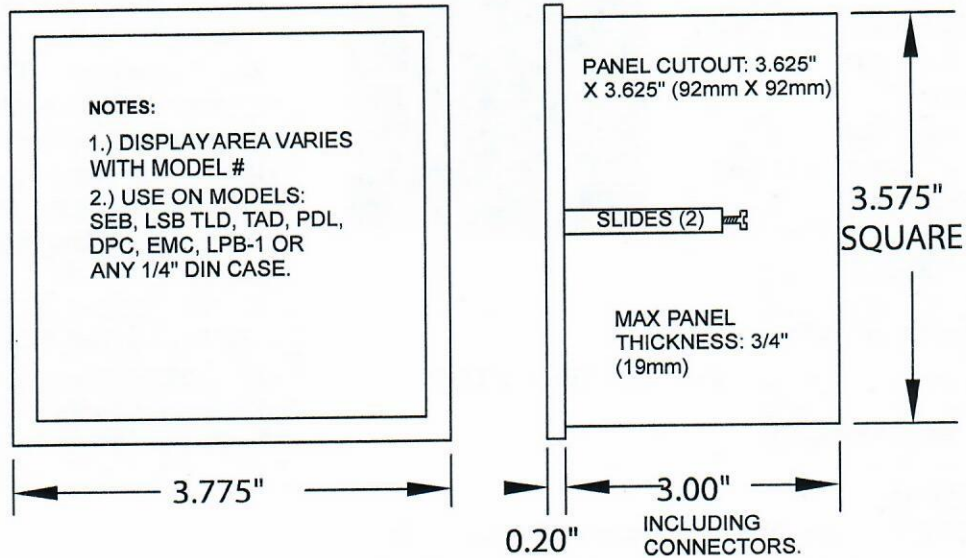
MADE
 IN
 USA



ACS-Q MECHANICAL INFORMATION

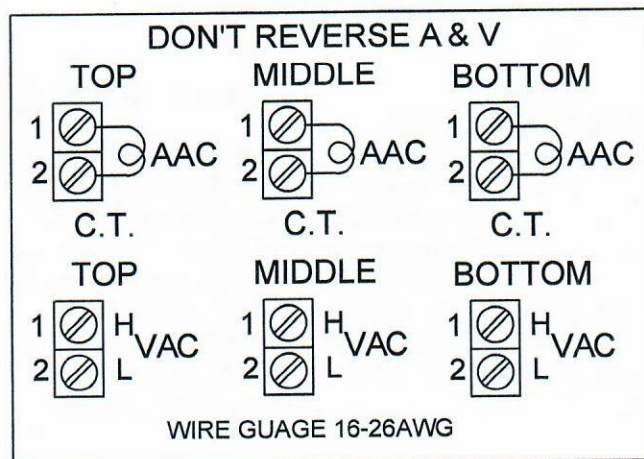
1/4" STANDARD DIN CASE & PANEL CUTOUT (FOR SEB/LSB/LPB)

FIG.
DIN-CSE



TYPICAL CONNECTIONS

MOD. TAD TYPICAL CONNECTIONS



- NOTES: 1.) USE EXTERNAL 10A FUSE FOR AMPS & 1A FOR VOLTS.
 2.) USE 5A.C.T. & 120V P.T.
 3.) SHOWN FOR 3 ϕ FOR 1 ϕ ONLY THE "MIDDLE" CONNECTORS ARE INCLUDED.