

NEW

**WORLD'S FIRST "C.T." POWERED LOOP TRANSMITTER
NO POWER SUPPLY REQUIRED!**

**MODEL
CTT**
Pat. # 7,626,378

FEATURES:

- Powered By Your C.T., P.T. or Ext. Powered
- A/V/W/Hz A.C. Signal Powered
- 30-150VAC/0.5-5A Input
- 4-20mA Out/Isolated (See Note #2)
- ≤ 500 Ohm Load (C.T. Powered)
- ≤ 1K Ohm Load (Ext. Powered)
- Nuclear, Mil-Spec & Industrial Grades
- Panel or Din Rail Mount
- Optional Display (CTT-3)

Model CTT-1 & 3

**NEMA 4X
WALL/PIPE MOUNT**

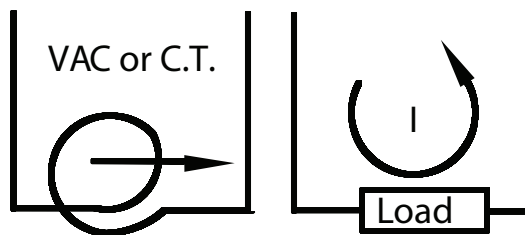
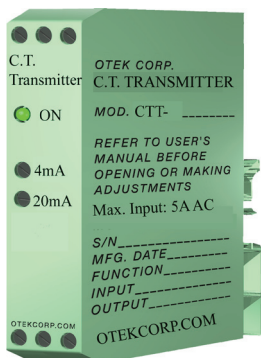


SPECIFICATIONS

- Input Range (C.T. Power): 0.5-5AAC
- Input Range V, W or Hz: 30-150VAC
- Accuracy & Linearity: ± 0.5% F.S.
- Isolation: >2KV, See Note #2
- Conversion: True RMS
- Min.-Max. Load: 0-1K Ohms
- Min-Max V Loop Ext. Power: 7-30V
- Max. V Out: 24VDC or Ext. Powered
- Min/Max. I Out: 3-26mA
- Op/St Temperature: -20 + 70/-30 + 80°C
- CMBTF: ≥ 100K Hours
- Environmental: NEMA 4X (CTT1 & 3)
- Warranty: Lifetime (LTD)

Model CTT-2

DIN-RAIL MOUNT



**-See Our New
TNT
Din Rail and Panel
Mount Transmitter
with Control
and Display**

O TEK's new "CTT" is a variation of the company's recently introduced ACS Series that brought you the World's First Truly C.T. (Current Transformer) powered instruments to monitor or control A.C. variables (V, A, W & Hz).

Now O TEK brings you complete freedom and savings. The "CTT" is 100% powered by your on site 5 Amp C.T.. Just connect your C.T. output to the CTT, your current loop load and eliminate the conduit power supply & wires. The convenient plug-in screw terminal connectors (26-16 Ga), allows for quick installation.

POWER: The CTT is powered by your C.T. and just like analog meters, if the C.T. is dead or has below minimum current output, the CTT won't display or transmit. For applications requiring display and transmission, even at no input, order CTT externally (24VDC) powered (Digit 3, Option 1).

The optional display (Option 3) displays the loop value in bright red 4 1/2 LED digits, 0.25" high. Standard calibration is 4-20mA=0-10000 counts. The optional isolator (Option 1, 3rd digit) give you >2K V isolation between inputs and loop output and requires >7<32 VDC, plus your load burden.

PACKAGES:

The DIN Rail (Option 1) is only 1.1" wide x 3.1 H x 3" deep. The Nema 4X (Options 2 & 3) can be wall, panel or pipe (NPT 1/2") mounted, ideal for outdoor installation.

Standard Calibration is 0-0.4A no display, 0.5A = 5.6mA = 625 counts, 5A = 20mA = 10000 counts. Zero and Span pots are included. 4 & 20mA output adjustments are also included. You can mount the CTT next to, or remotely from your 5A C.T. Just consider the wire resistance (0.0040 Ohms/Foot x 2 for 16 Ga.) and the CTT's internal resistance (0.05 Ohm). It works best if you mount the CTT closest to your C.T.

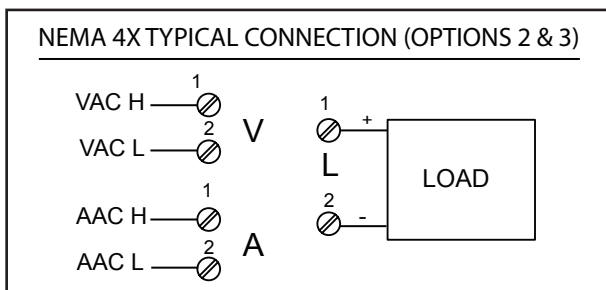
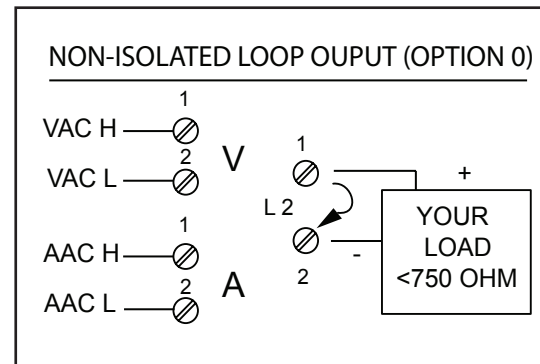
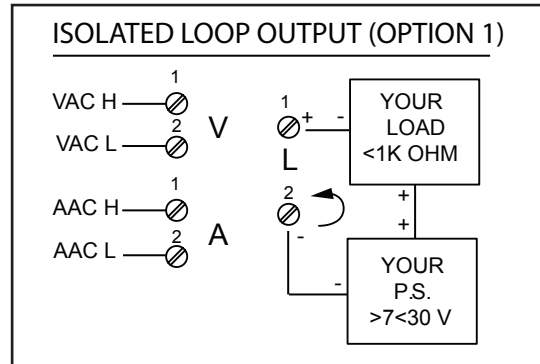
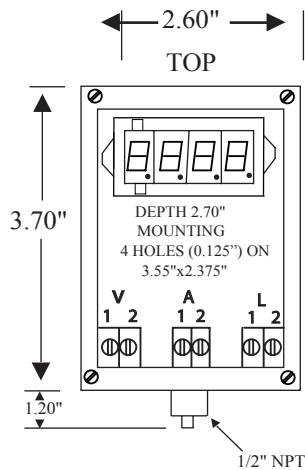
Note: The C.T. A inputs are internally fused with a 10A fuse. You should fuse your C.T. output at 8A or less. The V, W & Hz are fused internally with a 2A fuse. Use a 1A fuse externally.

**If You Don't
See It
Ask For It!**

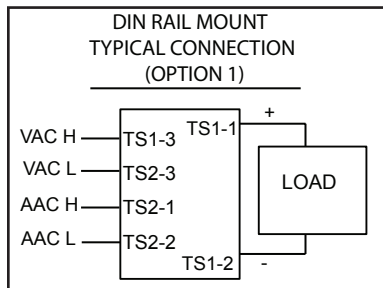
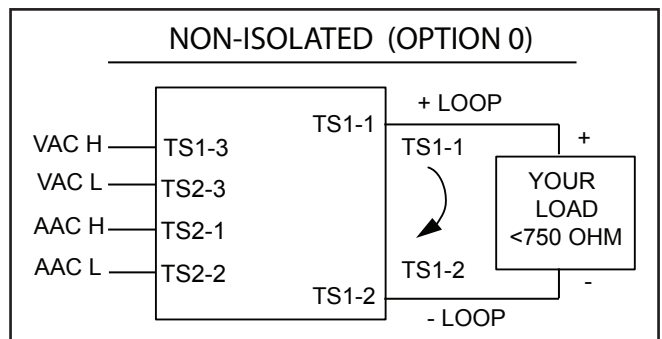
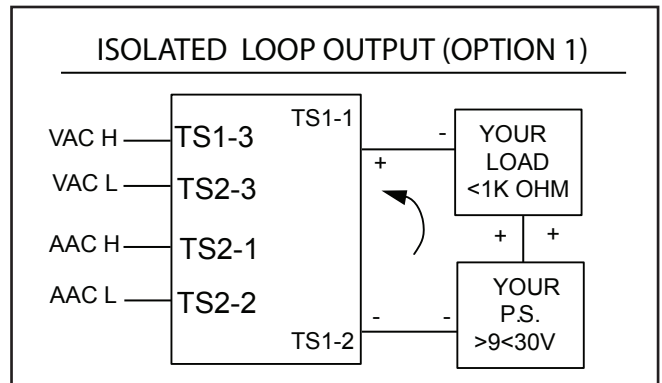
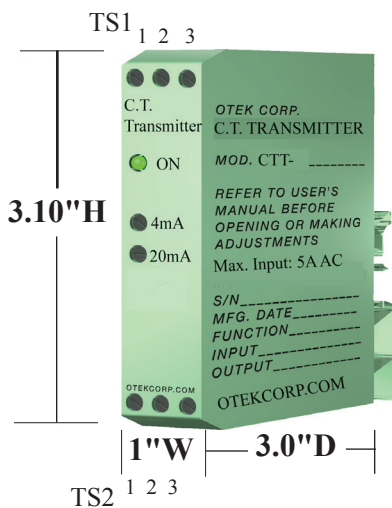


CTT MECHANICAL INFORMATION

OPTIONS 2 & 3 NEMA 4X



OPTION 1 DIN Rail Mount



CTT ORDERING INFORMATION 2-28-13

NOTE: Please READ NOTES BEFORE building part number.

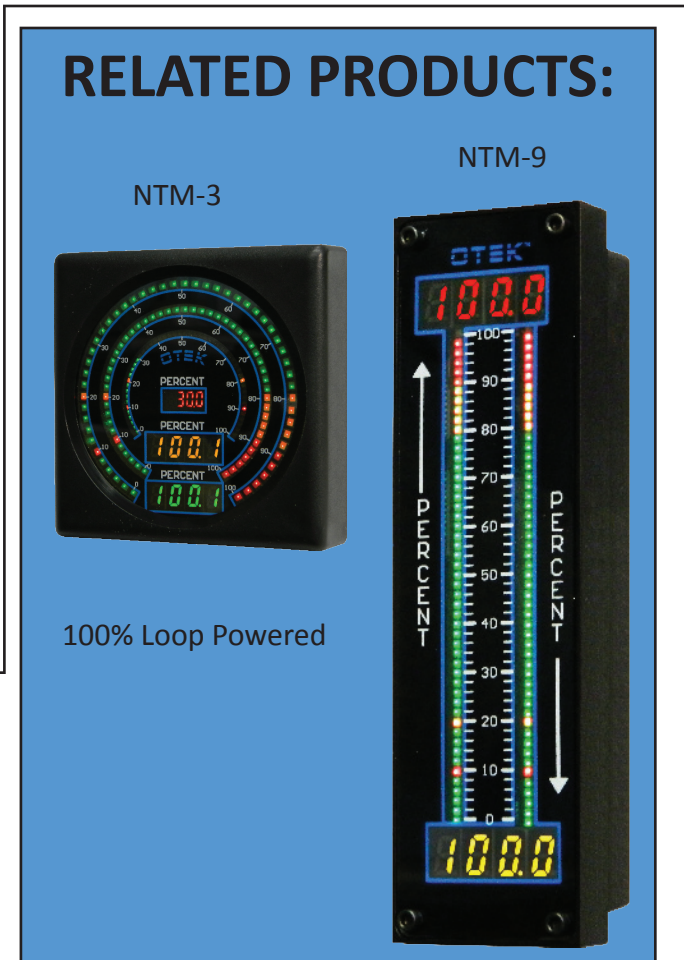
SIGNAL POWERED TRANSMITTER

Model: CTT - 1 2 3 4

<p><u>HOUSING TYPE & DISPLAY (1, 4)</u></p> <p>1.....Nema 4X & None</p> <p>2.....Din Rail & None</p> <p>3.....Nema 4X w/RED Digits</p> <p>9.....Custom (Contact OTEK)</p>	<p><u>GRADE (5)</u></p> <p>I.....Industrial</p> <p>M.....Mil-Spec (Contact OTEK)</p> <p>N.....Nuclear (Contact OTEK)</p> <p>9.....Custom (Contact OTEK)</p>
<p><u>INPUT TYPE (2)</u></p> <p>A.....Amps A.C.</p> <p>H.....Hertz A.C.</p> <p>V.....Volts A.C.</p> <p>W.....Watts A.C.</p> <p>9.....Custom (Contact OTEK)</p>	<p><u>POWER INPUT & ISOLATION LOOP (2, 3)</u></p> <p>0.....Signal Powered & None</p> <p>1.....Signal Powered & Externally Powered. Isolated Loop</p> <p>9.....Custom (Contact OTEK)</p>

NOTES:

1. Display (NEMA 4X case only) assigned to internal (non-isolated) current loop. See Notes 2 and 3 and text. Use #9 for custom display scale and offset if other than standard (0-FS=0=10000 counts). Decimal points are internally jumper selectable.
2. V, W and HZ options (digit 2) are **NOT** isolated from outputs. If choosing no external power on the isolation loop (option 0, digit 3), the customer **MUST** use a potential transformer. Otherwise, choose option 1 for digit 3 and provide external power to the output transmitter (7-32VDC).
3. An inherent output dead band of 4mA will be seen for the following inputs: A: < 0.5A; V, Hz and W: <30V.
4. Std. Calibration: Loop: A: .5-5A=5.6-20mA; V: 30V-120V=8-20mA; W: (AxV): 15-600W=4.4-20mA; HZ: 30-60=12-20mA; Display: 4-20mA=0-100.00 counts (%) for all.
5. OTEK will build to certain nuclear or MIL-Standards, but testing and confirmation of compliance, if required, will need to be done by a third party and at customer's expense.



DOWNLOADS:

For manuals, user-software or drivers:
otekcorp.com/content/support-downloads