

TO BE DISCONTINUED - SEE NTM-3

Programmable Intelligent Controllers WITH "QUAD" LCD (Switchboard) DISPLAY

MODEL
HI-Q127

FEATURES:

- * 51 Segments (2%) Display
- * 1 ea. 3 Character 7 Segment 0.4" High
- * 1 ea. 3 Digit Display 0.6 " (888)
- * 1 ea. 7 Digit Display 0.4" High (888,8888) (Analog Reading, 6 digits)
- * Auto-Tricolor Backlight (R/G/A)
- * Isolated 18-Bit A/D(50K Counts)
- * Look Up Tables, Math Functions
- * RS232, 485,422 OR USB I/O
- * 3 Channel Analog Inputs with > 30 signal conditioners
- * 4 Relays SPDT 10A
- * 8 Open Coll. XTRS (O.C.T.)
- * Isolated 16 Bit DAC (4-20mA) Out
- * Isol. 28 VDC Out for Transmitter
- * Lifetime (LTD) Warranty!

SPECIFICATIONS:
See Pages A-D Attached

SWITCHBOARD



SANITARY CASE



EXPLOSION PROOF



NEW TRICOLOR BACKLIGHT:

AUTOMATIC TRICOLOR (R/G/A) BACKLIGHT ALLOWS YOU TO CHANGE BACKGROUND COLORS AT WILL VIA SERIAL COMMANDS OR SET POINTS, INCLUDING BLINKING.

APPLICATIONS:

- * Serial Input Remote Display
- * DCS/SCADA Terminal
- * Stand Alone Display/Controller
- * Flow, Volume and Speed Indicator
- * AC Power Meter (A, V, W & Hz)



**If You Don't
See It
Ask For It!**

Description:

OTEK's new HI-Q127 joins the popular "Switchboard" series of Intelligent Programmable Controllers which are used in aerospace, nuclear, military & industrial fields. The HI-Q127 shares the same hardware (other than the glass) & software already tested to Mil-Std 461E, 617 and SV&V (Software Verification & Validation), so it is proven to have a long life expectancy and high reliability.

Its 3 Input A/D Channels (18-Bit Resolution) allows the end user to display & control (via analog output or relays) any 3 variables as in flow (actual & accumulated) applications. The HI-Q127's visual HMI's (Human to Machine Interface) Auto-Tricolor Backlight allows the operator to see color changes (red, amber, green) for quick and long distance viewing, giving the operator a visual of their process (just like traffic lights!). The backlight's color is controlled by programmable alarm set points or with a serial command.

If you would prefer a "power meter", Use the HI-Q127 for V, A, Hz or Watts RMS & Display all variables in one compact instrument.

NEW SANITARY CASE!

- Only 6 X 6 X 3" Aluminum
- Double Gasketed and 3/4" NPT
- High Temperature/Impact Window
- Wall/Panel/Pipe Mounting
- Up to 250°F Steam Cleaning
- Water Tight/Submersible

WHAT IS IT

- ◆ It is a Programmable Logic Controller (P.L.C.)
- ◆ It is a Computing Controller
- ◆ It is a DCS to Process Interface
- ◆ It is a Process to SCADA Interface
- ◆ It is a Single Loop Process Controller
- ◆ Or Just a *Plain METER*

EXPLOSION PROOF:

- Approved for:
Class I Div 1 & 2 Groups B, C & D;
Class II Div 1 & 2 Groups E, F & G;
Class III Nema 3,4,7 & 9, FM, CSA,
Baseefa & Cenelec Certified
- Tempered Glass Window
- Aluminum Casted Housing

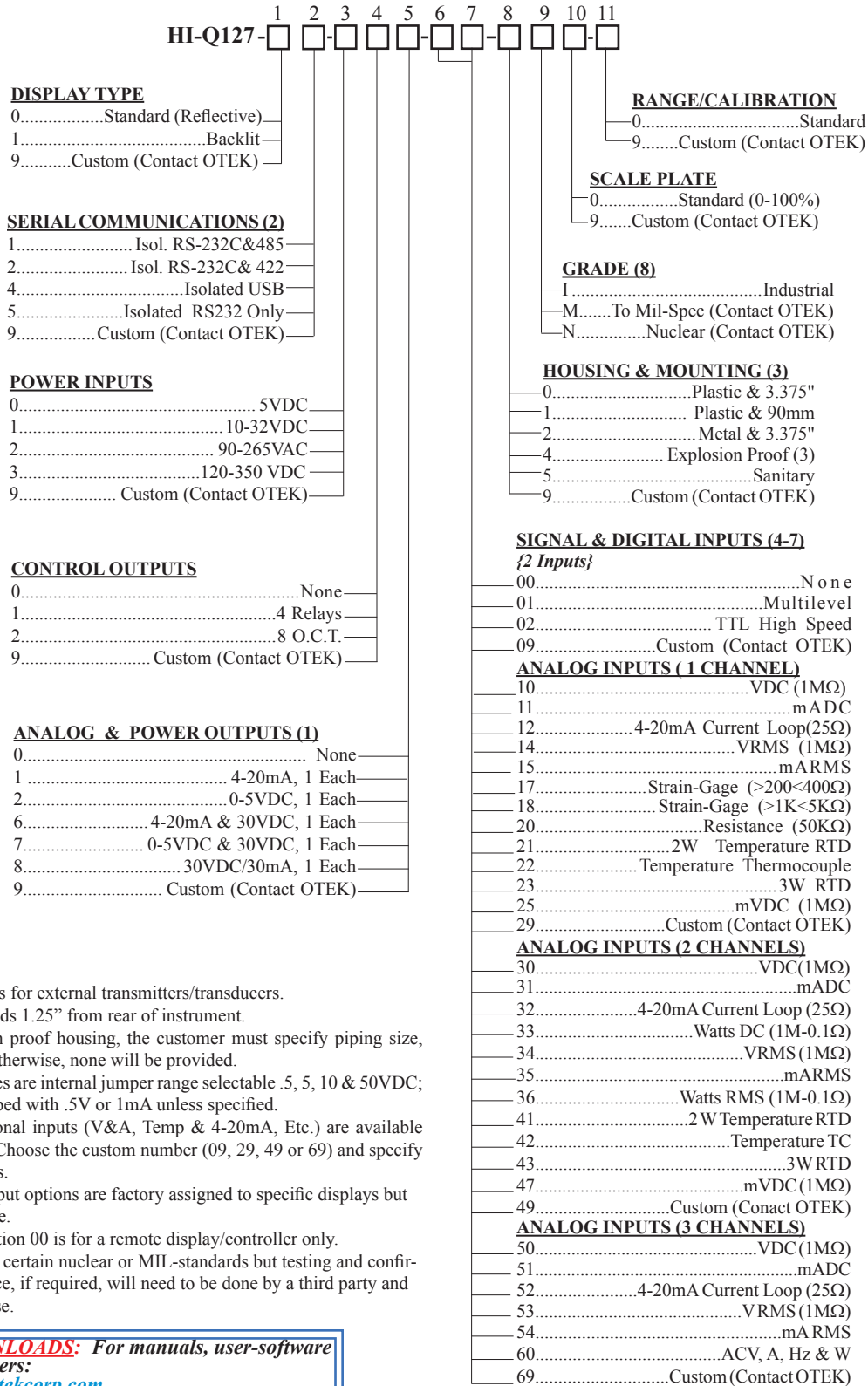
520-748-7900
FAX: 520-790-2808
E-MAIL:sales@otekcorp.com
http://www.otekcorp.com

OTEK™
CORP.
SINCE 1974

4016 E. TENNESSEE ST.
TUCSON, AZ. 85714 U.S.A.

MADE
IN
USA 

HI-Q127 ORDERING INFORMATION 4-17-13



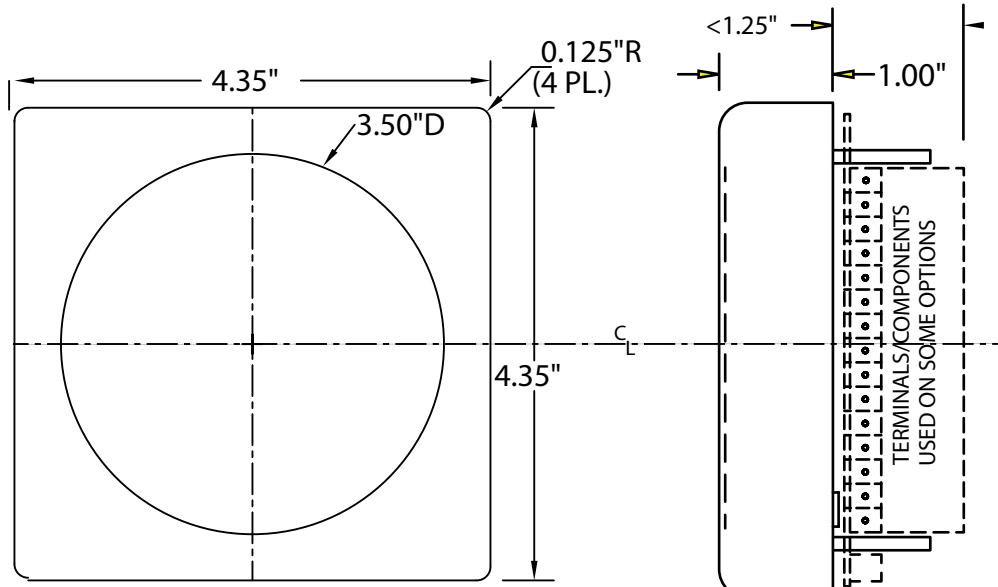
NOTES:

1. 30V compliance is for external transmitters/transducers.
2. USB option extends 1.25" from rear of instrument.
3. For the explosion proof housing, the customer must specify piping size, thread & location; otherwise, none will be provided.
4. Volt & Amp ranges are internal jumper range selectable .5, 5, 10 & 50VDC; 1, 5 & 20mA. Shipped with .5V or 1mA unless specified.
5. Mixed or additional inputs (V&A, Temp & 4-20mA, Etc.) are available as customizations. Choose the custom number (09, 29, 49 or 69) and specify custom requirements.
6. Multi-channel input options are factory assigned to specific displays but are field configurable.
7. Digits 6 & 7, Option 00 is for a remote display/controller only.
8. Otek will build to certain nuclear or MIL-standards but testing and confirmation of compliance, if required, will need to be done by a third party and at customer's expense.

DOWNLOADS: For manuals, user-software or drivers:
www.otekcorp.com

HI-Q127 MECHANICAL INFORMATION

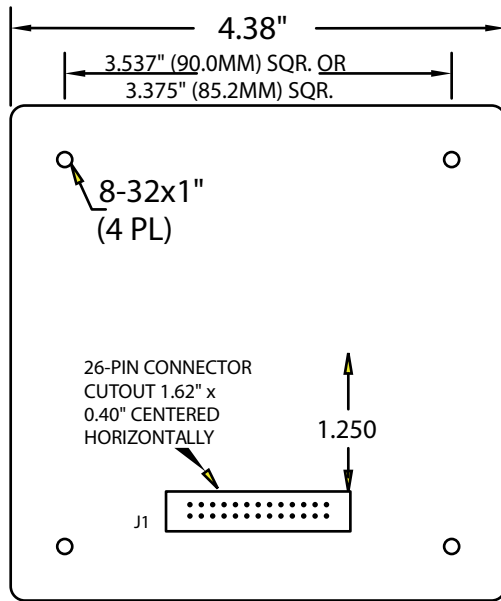
MECHANICAL FOR ALL OTEK'S "SWITCHBOARD" STYLE METERS



FRONT VIEW

SIDE VIEW

WITHOUT REAR MODULE
SEE NOTE 1



REAR VIEW

WITHOUT REAR MODULE
SEE NOTE 2

Note:

1. Models HI-Q12X-X00-000-0X (X=any option) do not require piggy back module that plugs on J₁ connector from behind your panel, all others do.
2. J₁ connector and 3.375" studs spacing meet ANSI 39.1 standard for switch board meters. J₁ falls within existing "Barrel" cutout and on 1/4 DIN (92x92mm) Panel Cutout.