

**NEW**

# SERIAL INPUT (USB or RS485) REMOTE DISPLAY FOR HI-REL, MIL-SPEC, NUCLEAR & INDUSTRIAL

## REMC001B

\*Replacement For  
Hi-QREMC001A

(UPM-L-C001B)



6 Digit Red



6 Digit Green



6 Digit Yellow

### FEATURES:

- Replaces Form, Fit & Function REMC001A
- Autotricolor Alphanumeric
- Characters: 6 Ea., 0.6" High
- Standard ASCii, 8N1
- Explosion Proof & Mil-Std. 461 (on request)

REAR VIEW



2.80" X 1.310" PANEL CUTOUT  
BEZEL: 2.91 X 1.52"

SIDE VIEW



← 1.75 →  
1" On Request

### NOTICE

The new **REM-C001B** is a revised C001A that uses Otek's **New Technology** UPM (Universal Panel Meter) series. The new series features many functional options that were not available on the old REM series. Being a compact package, the form, fit and function replacement REM-C001B does not offer many features of the standard UPM series.

As a replacement for the REM-C001A, the C001B needs no changes to your wiring, mounting or command set. It is a 100% plug & play replacement.

For other functions, see our preliminary UPM Master Catalog at [www.otekcorp.com](http://www.otekcorp.com) or contact Otek at 520-748-7900 or through [sales@otekcorp.com](mailto:sales@otekcorp.com)



### SPECIFICATIONS (INDUSTRIAL) (at 25°C & 5VDC )

- Digits: 6 ea. 0.6" High, 15 Segment Alphanumeric
- Power Consumption: <1.5W @ 5 VDC
- Isolation For Power Input: 500VDC
- Baud Rate: 1200 to 19,200 (9600 Default)
- Characters: ASCII Codes 0-9 & Full Alpha & DP
- Hardware Handshake: None Required
- Operating Temp: 0-60°C, NEMA 4X
- Storage Temp: -20 + 80°C
- Humidity: 5-95% RH, Non-Condensing
- Sanitary Case: To 250°F Steam Cleaning
- Explosion Proof For CLASS I, Div. 1 & 2 Certified
- Calculated MTBF: >100,000 Hours (12+ Years)
- Warranty: Lifetime (LTD)

Note: Above specifications are for Industrial Grade.  
Contact OTEK for other grades.

520-748-7900

FAX: 520-790-2808

E-MAIL: [sales@otekcorp.com](mailto:sales@otekcorp.com)

<http://www.otekcorp.com>

**OTEK**™  
CORP.  
SINCE 1974

4016 E. TENNESSEE ST.  
TUCSON, AZ. 85714 U.S.A.

MADE  
IN  
USA



**DESCRIPTION:**

Otek's **REM** was designed under D.O.D. specifications to bring the latest technology to our Armed Forces replacing old obsoleted technology.

The **REM** (Remote Panel Meter) accepts RS485 and USB 2.0 and can be USB powered (200mA @ 5VDC).

**DISPLAY INTENSITY** can be externally adjusted via a potentiometer or via serial commands.

**LAMP TEST:** Just send 6 DP and 8s.

**ADDRESSING** of the **REM** is up to 255 units.

The **HOUSING** is made out of machined aluminum nickel plated (or Mil-Spec painted) and the connector is screw type "Captive" for high shock and vibration environments. A gasket is supplied for **NEMA 4X** compatibility. An optional EMI/RFI filter is available.

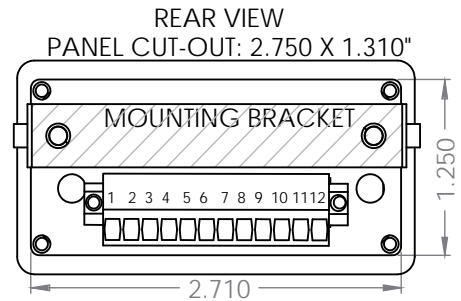
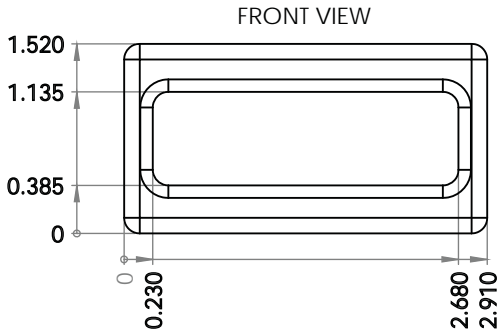
**Sanitary & Explosion Proof** cases can be pipe, panel, wall or conduit mounted.

**Mil-Std. 461, 901, 810, 167** and others are available upon request.

**POWER INPUT** can be 5, 7-32 or 48 VDC or USB powered consuming a maximum of 0.25 Watt (less with lower intensity for dark environments).

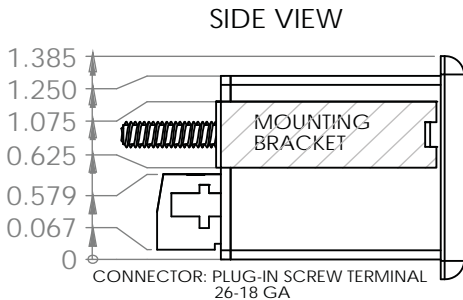
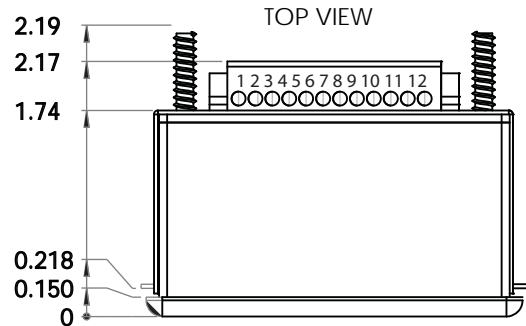
Simple industry standard ASCII characters are accepted. Settings are "8N1" with baud rates from 1200 to 19,200.

**REMC001B MECHANICAL INFORMATION**



**TYPICAL CONNECTIONS (RS485):**

- 1: +28 VDC
- 2: 0V
- 3: +5V Out
- 4: Intensity Control
- 5: N.C.
- 6: RS485 "B"
- 7: RS485 "A"
- 8: RS485 Ground
- 9-12: N.C.



\*For max. intensity, jump pins 3 & 4.

SIDE VIEW