

NEW

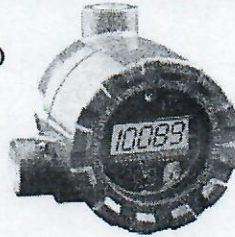
POWERLESS™
Low Cost Loop Powered LCD or LED
Explosion Proof
 (PATENTS # 7,477,080; 6,285,094 & PENDING)

MODEL
LPS-Z

FEATURES:

- 4 1/2 Reflective LCD or Red LED Display
- Hold and Peak & Hold
- Intrinsically Safe by Design (Optional)
- Zero and Span Adjustments
- Lifetime Warranty!

LCD



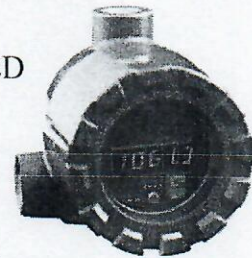
SPECIFICATIONS:

- Burden: 4.5V Max.
- Min.-Max. Input Current: 3.6-36mA
- Accuracy & Linearity: +/- .01% of F.S. +/- 1 Digit
- Zero & Span Adj.: +/- 3,000 Counts
- Standard Calibration: 4-20 = 0-10,000
- Class I, Div 1, Groups B-G
- ECex: IM2, Exd1

DESCRIPTION: It cannot get any simpler: One ASIC, one display, and one P.C.B., the rest is innovative engineering to give you high reliability and long life expectancy (>100 K Hours). You can select the decimal point position on display board or tell us when ordering and use the included "Hold" and "Peak & Hold" to analyze transients. Why pay twice as much when the LPS-Z will do better?

For I.R. Programmable Version-See Model LPX

LED



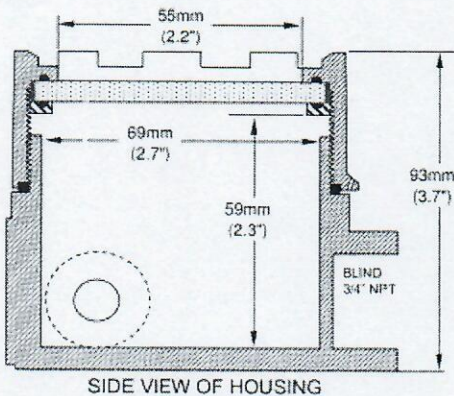
Effective 2-7-12

Model: LPS- Z		1	2
		<input type="checkbox"/>	<input type="checkbox"/>
<u>DISPLAY TYPE</u>			<u>RANGE/CALIBRATION</u>
\$395.00...0.....LCD Reflective		0.....STANDARD (0-10,000 Counts)....N.C.
\$395.00...1.....LED Red		9.....CUSTOM....C.F.
C.F....9.....Custom		

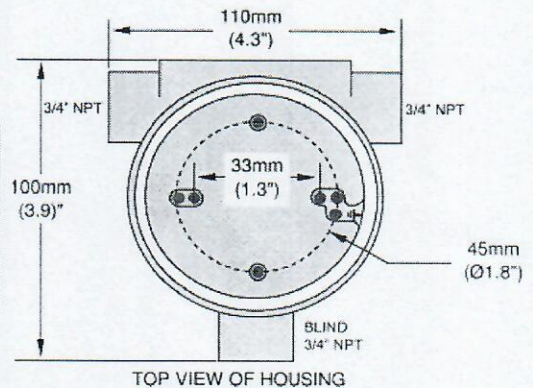
To change D.P. or Zero & Span, remove front cover (in safe area), change jumper and replace cover or see our model LPX for IR control. To make connections, also remove P.C.B. assembly (2 screws). Make connections, apply signal, adjust zero & span and replace.

MECHANICALS

NOTE: Do not remove cover in hazardous area, remove cover and select decimal point desired in safe area.



TYPICAL CONNECTIONS
 (In Safe Area Only)
 + Loop: TS1-1
 - Loop: TS1-2



520-748-7900
 FAX: 520-790-2808
 E-MAIL:sales@otekcorp.com
 http://www.otekcorp.com

OTEK™
CORP.
 SINCE 1974

4016 E. TENNESSEE ST.
 TUCSON, AZ. 85714 U.S.A.
 MADE IN USA

